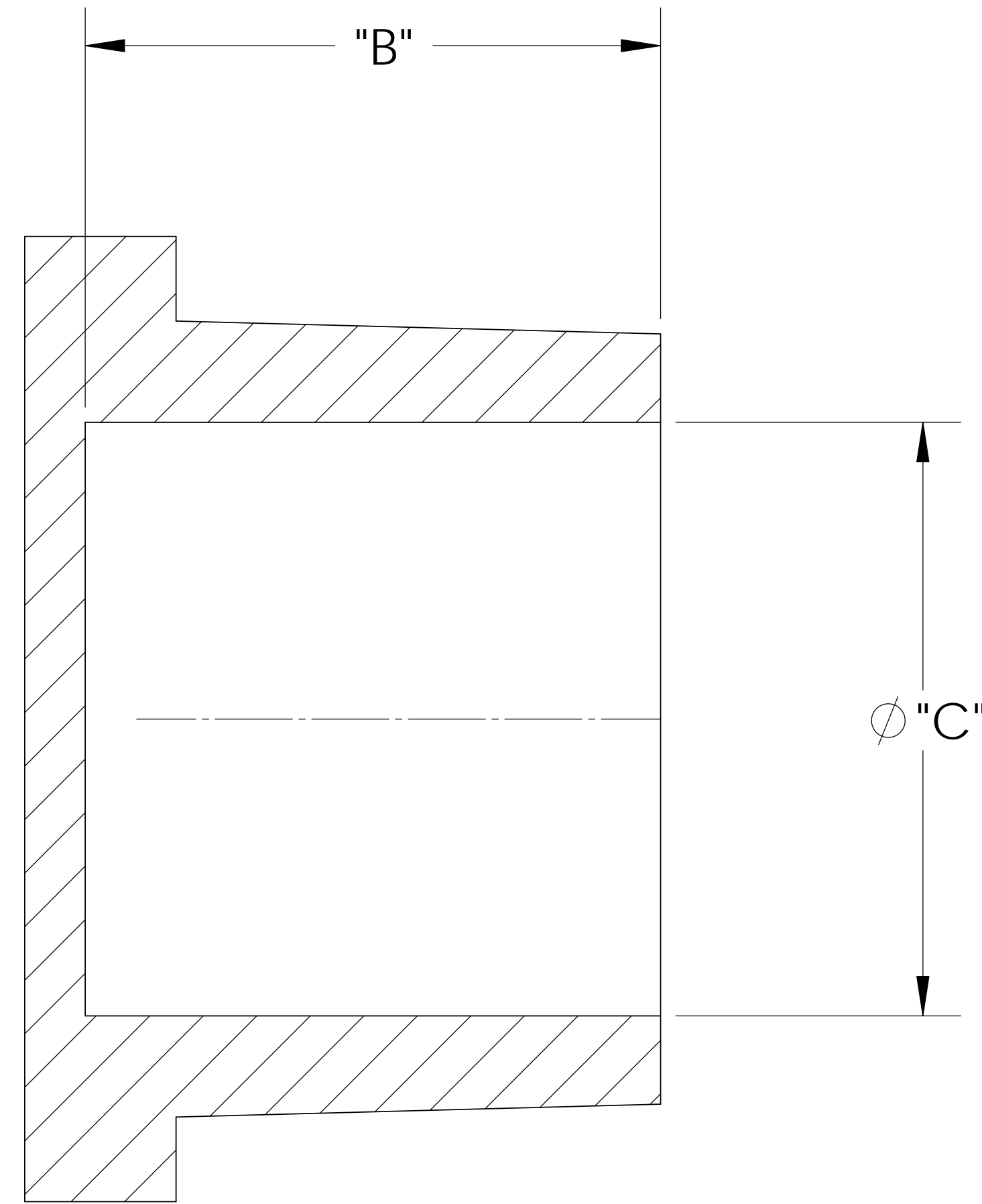
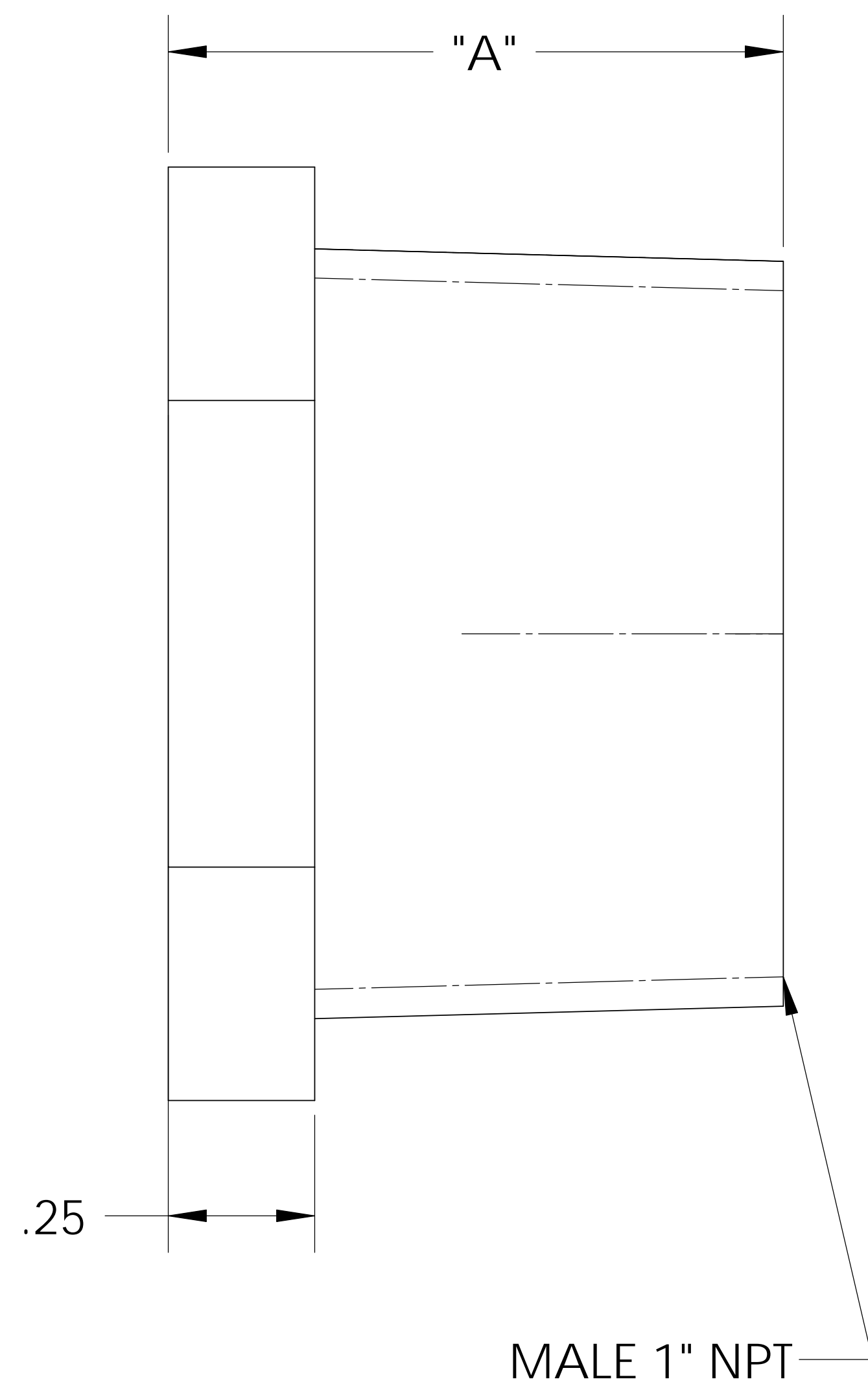
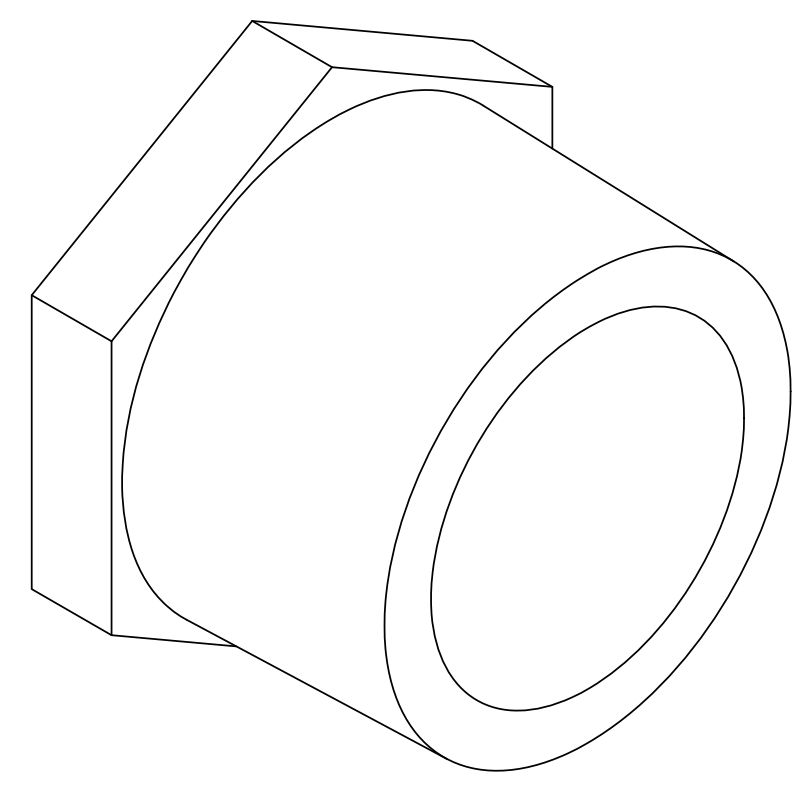
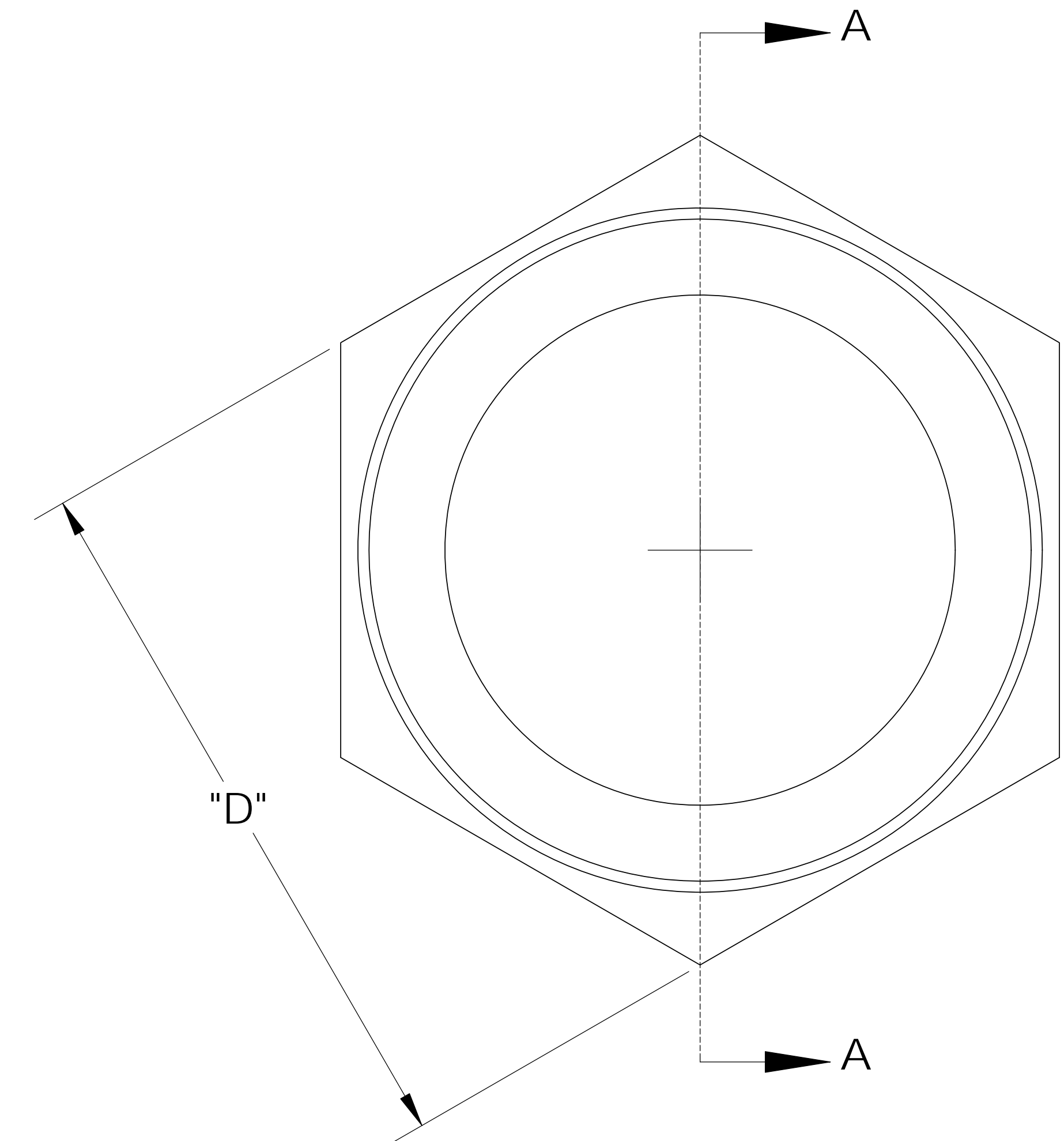


UNCONTROLLED IF PRINTED; CONTROLLED DOCUMENTS LOCATED IN IQMS DOCUMENT CONTROL



SECTION A-A



CATALOG NO.	DESCRIPTION	MATERIAL	DIM "A"	DIM "B"	DIM "C"	DIM "D"
TP4016/PP	1" NPT PP	POLYPROPYLENE	1.04	.94	.96	1.37
TP4016/P	1" NPT P	POLYETHYLENE	1.01	.92	.95	1.35
TP4016/N	1" NPT N	NYLON	1.05	.95	.98	1.38

SHOWN

REV	WRO#	DESCRIPTION
C	95.00025	CONVERTED TO 3D FORMAT
HISTORY		

UNLESS OTHERWISE SPECIFIED: DIMENSIONS ARE IN INCHES TOLERANCES: ANGULAR: ±0.5° X.X = ± 0.1 X.XX = ± 0.05 X.XXX = ± 0.015 REMOVE ALL SHARP EDGES AND BURRS BLEND ALL RADII TO 0.01IN INTERPRET GEOMETRIC TOLERANCING PER: ANSI Y 14.5 1994	NAME KDJ	DATE 10/08/10
MATERIAL: PP, P, N	ENG APPR.	XX/XX/XX
FINISH: NA	MFG APPR.	XX/XX/XX
THIRD ANGLE PROJECTION: 	Q.A.	XX/XX/XX

COMMENTS:	DO NOT SCALE DRAWING
-----------	----------------------

Thogus You think it, we can make it...
33490 PIN OAK, AVON LAKE, OH 44012

TITLE: **PLUG, 1" NPT**

SIZE B	DWG. NO. TP4016	REV C
SCALE: 2:1	MASS:	SHEET 1 OF 1

NOTES:
1) POLYPROPYLENE HAS COLOR OPTIONS:
BLACK = TP4016/PPB
NATURAL = TP4016/PPN

PROPRIETARY AND CONFIDENTIAL
THE INFORMATION CONTAINED IN THIS DRAWING IS THE SOLE PROPERTY OF THOGUS PRODUCTS COMPANY. ANY REPRODUCTION IN PART OR AS A WHOLE WITHOUT THE WRITTEN PERMISSION OF THOGUS PRODUCTS COMPANY IS PROHIBITED.