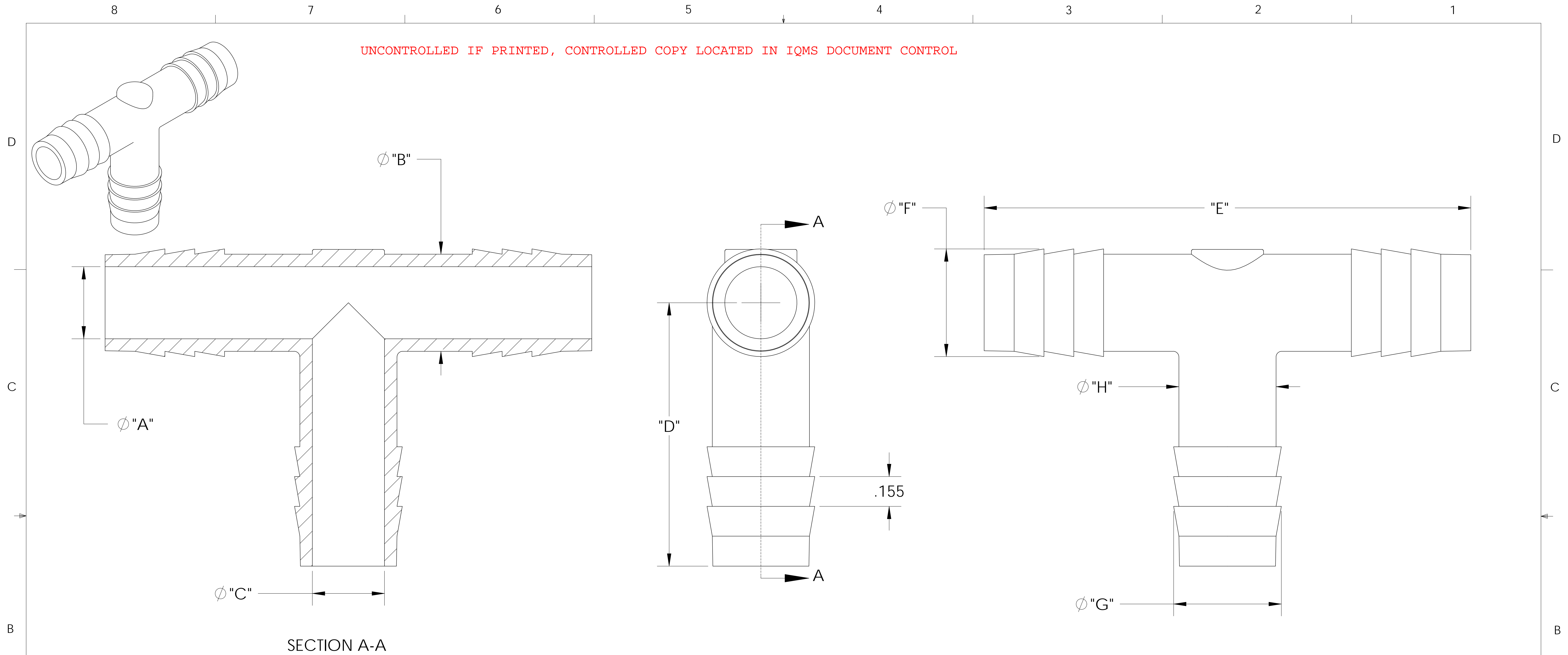


UNCONTROLLED IF PRINTED, CONTROLLED COPY LOCATED IN IQMS DOCUMENT CONTROL



CATALOG NO.	DESCRIPTION	MATERIAL	DIM "A"	DIM "B"	DIM "C"	DIM "D"	DIM "E"	DIM "F"	DIM "G"	DIM "H"
TT9888/PP	1/2 X 1/2 X 1/2 PP	POLYPROPYLENE	.370	.500	.370	1.26	2.50	.550	.550	.495
TT9888/P	1/2 X 1/2 X 1/2 P	POLYETHYLENE	.360	.500	.365	1.22	2.44	.545	.550	.505
SHOWN TT9888/N	1/2 X 1/2 X 1/2 N	NYLON	.375	.505	.375	1.27	2.53	.560	.560	.505

NOTES:  
 1) POLYPROPYLENE HAS COLOR OPTIONS:  
 BLACK = TT9888/PPB  
 NATURAL = TT9888/PPN


**PROPRIETARY AND CONFIDENTIAL**  
 THE INFORMATION CONTAINED IN THIS DRAWING IS THE SOLE PROPERTY OF THOGUS PRODUCTS COMPANY. ANY REPRODUCTION IN PART OR AS A WHOLE WITHOUT THE WRITTEN PERMISSION OF THOGUS PRODUCTS COMPANY IS PROHIBITED.

REV	WRO#	DESCRIPTION
D	95.00053	CONVERTED TO 3D FORMAT

HISTORY

NAME	DATE
DRAWN KDJ	12/21/10
CHECKED KDJ	12/21/10
ENG APPR. JM	12/22/10
MFG APPR. ML	12/22/10
Q.A. NJW	12/22/10

COMMENTS:

  
**Thogus** You think it, we can make it.  
 33490 PIN OAK, AVON LAKE, OH 44012  
**TITLE:**  
 1/2 BARB X 1/2 BARB X 1/2 BARB TEE  
**SIZE** DWG. NO. **REV**  
**B** TT9888 **D**  
 DO NOT SCALE DRAWING SCALE: 2:1 MASS: SHEET 1 OF 1

