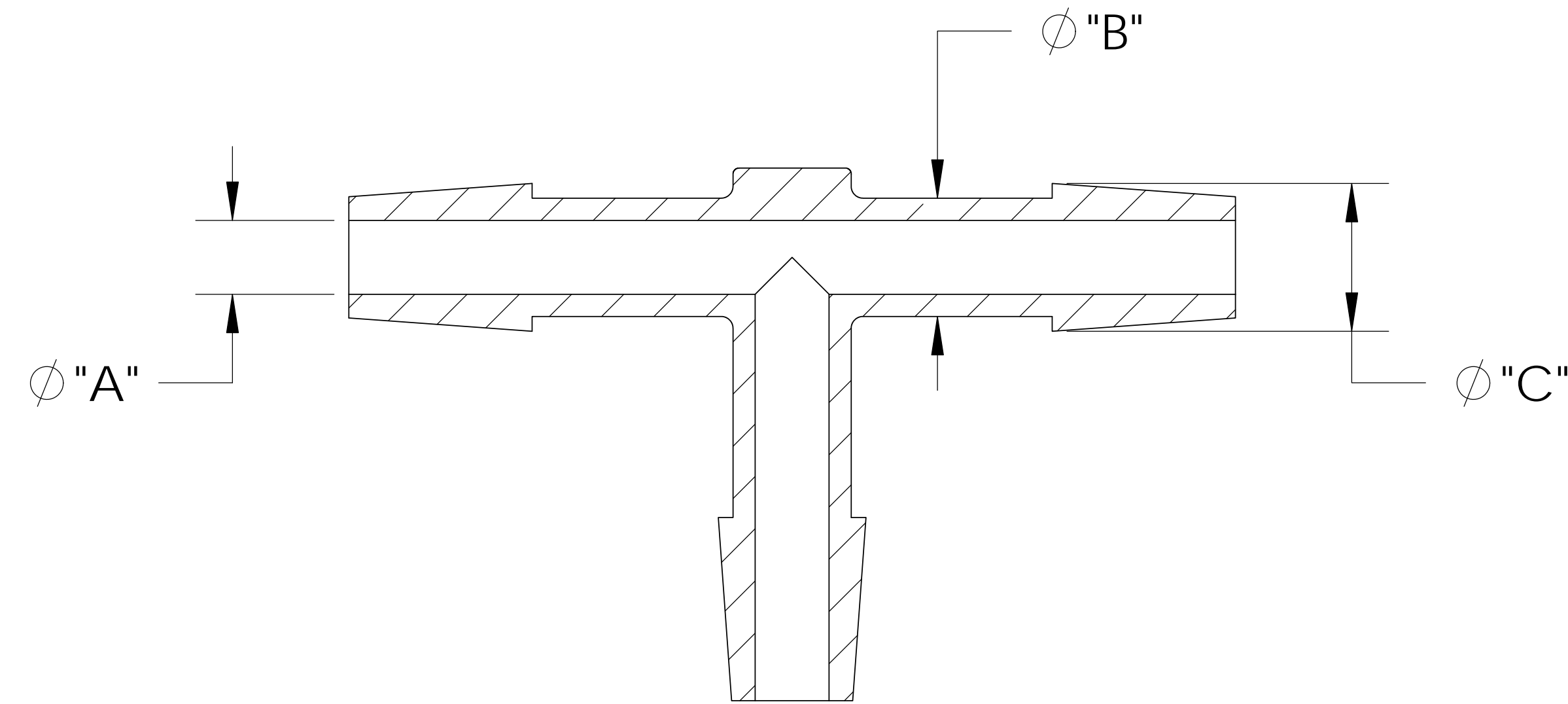
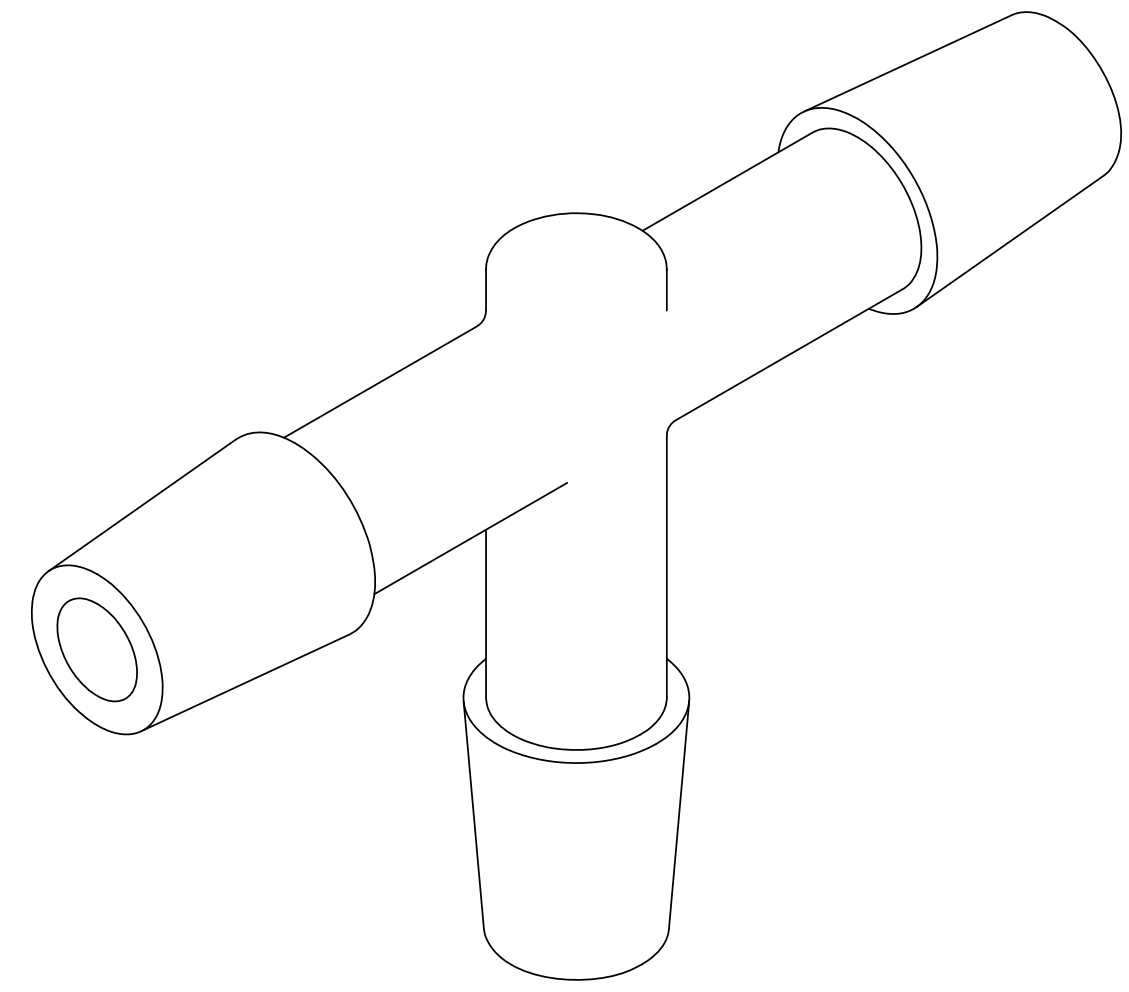
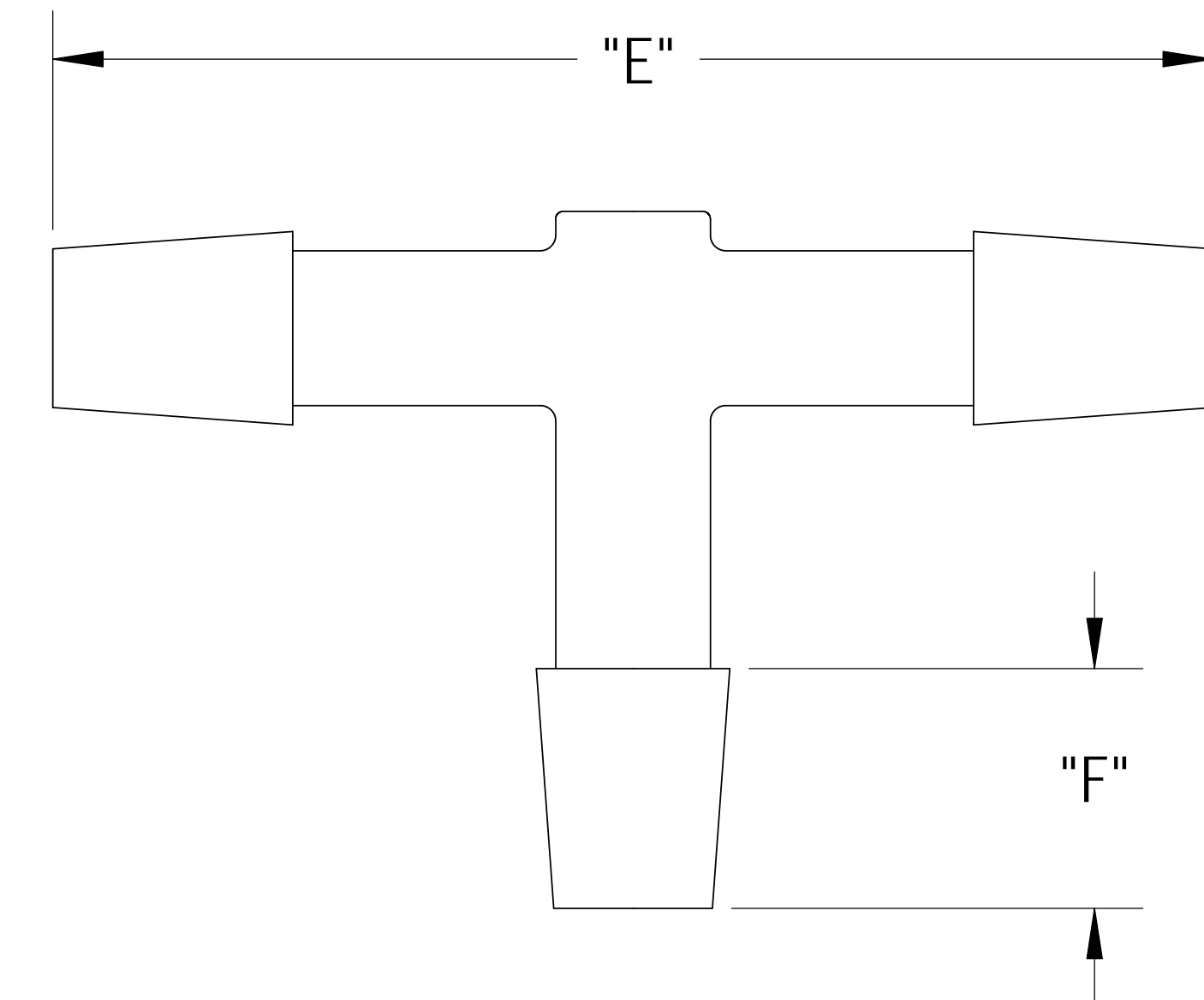
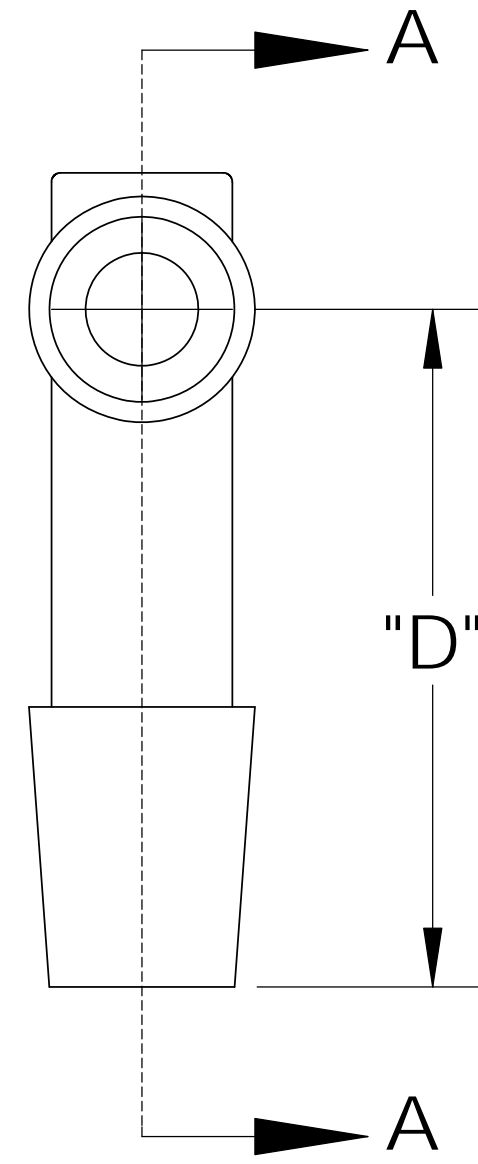


UNCONTROLLED IF PRINTED; CONTROLLED DOCUMENT LOCATED IN IQMS DOCUMENT CONTROL



SECTION A-A



CATALOG NO.	DESCRIPTION	MATERIAL	DIM "A"	DIM "B"	DIM "C"	DIM "D"	DIM "E"	DIM "F"
TT9333/PP	3/16 X 3/16 X 3/16 PP	POLYPROPYLENE	.120	.195	.245	.74	1.48	.310
TT9333/P	3/16 X 3/16 X 3/16 P	POLYETHYLENE	.120	.200	.245	.74	1.46	.305
TT9333/N	3/16 X 3/16 X 3/16 N	NYLON	.125	.205	.250	.75	1.50	.310

SHOWN

NOTES:

- 1) POLYPROPYLENE HAS COLOR OPTIONS:
 BLACK = TT9333/PPB
 NATURAL = TT9333/PPN

PROPRIETARY AND CONFIDENTIAL
 THE INFORMATION CONTAINED IN THIS DRAWING IS THE SOLE PROPERTY OF THOGUS PRODUCTS COMPANY. ANY REPRODUCTION IN PART OR AS A WHOLE WITHOUT THE WRITTEN PERMISSION OF THOGUS PRODUCTS COMPANY IS PROHIBITED.

UNLESS OTHERWISE SPECIFIED: DIMENSIONS ARE IN INCHES TOLERANCES: ANGULAR: $\pm 0.5^\circ$ X.X = ± 0.1 X.XX = ± 0.05 X.XXX = ± 0.015 REMOVE ALL SHARP EDGES AND BURRS BLEND ALL RADII TO 0.01IN INTERPRET GEOMETRIC TOLERANCING PER: ANSI Y 14.5 1994	NAME: KDJ DATE: 11/17/10	 33490 PIN OAK, AVON LAKE, OH 44012 TITLE: 3/16 BARB X 3/16 BARB X 3/16 BARB TEE	
MATERIAL: PP, P, N	CHECKED: KDJ 11/17/10		
FINISH: NA	ENG APPR.: MFG APPR.: Q.A.:		
THIRD ANGLE PROJECTION: 	COMMENTS: DO NOT SCALE DRAWING		
REV WRO# DESCRIPTION HISTORY	SIZE: B	DWG. NO.: TT9333	REV: D
	SCALE: 2:1	MASS:	SHEET 1 OF 1