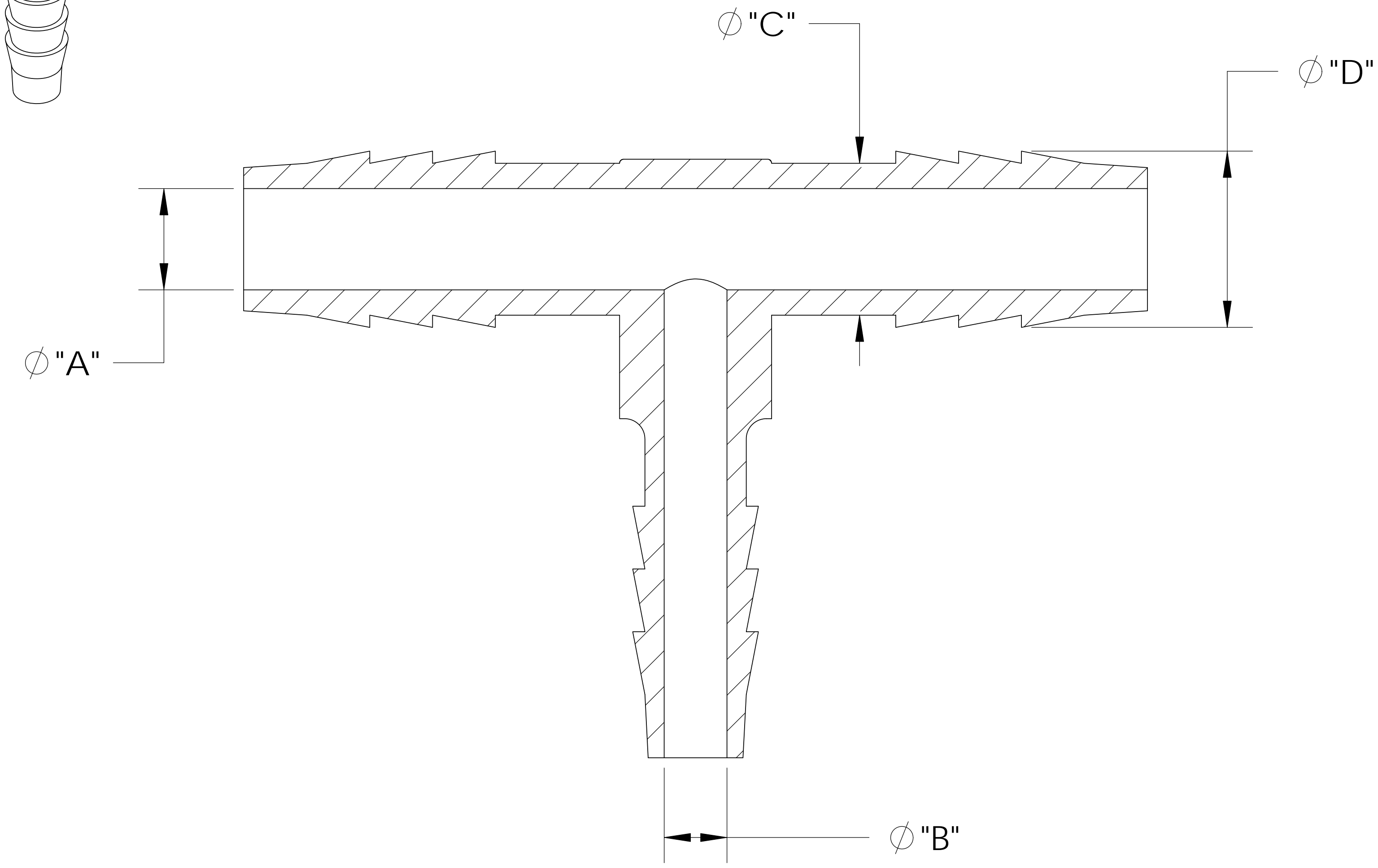
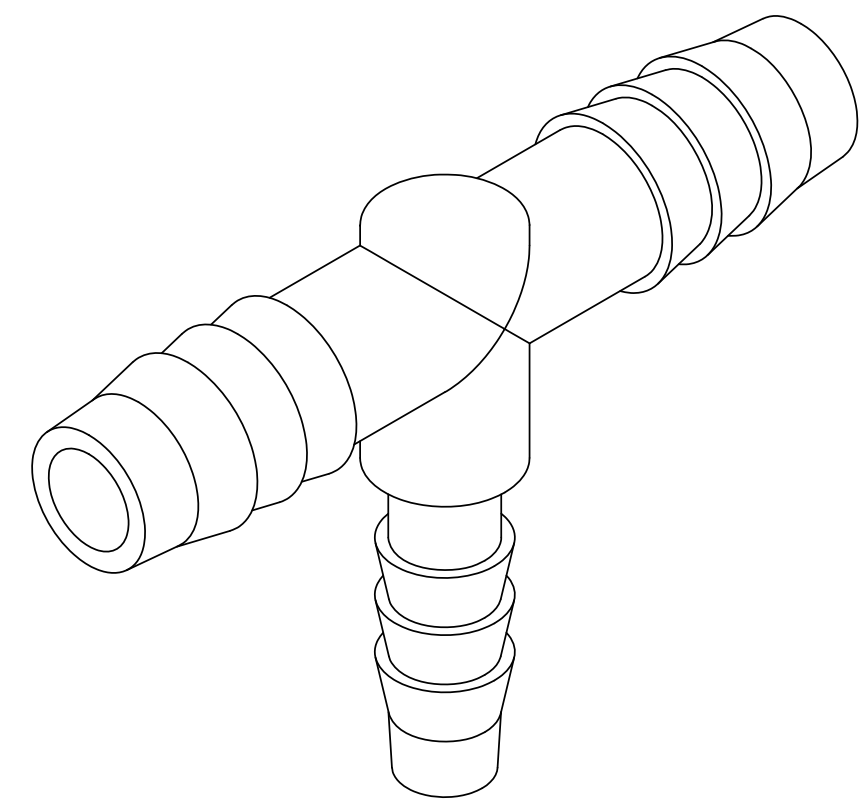
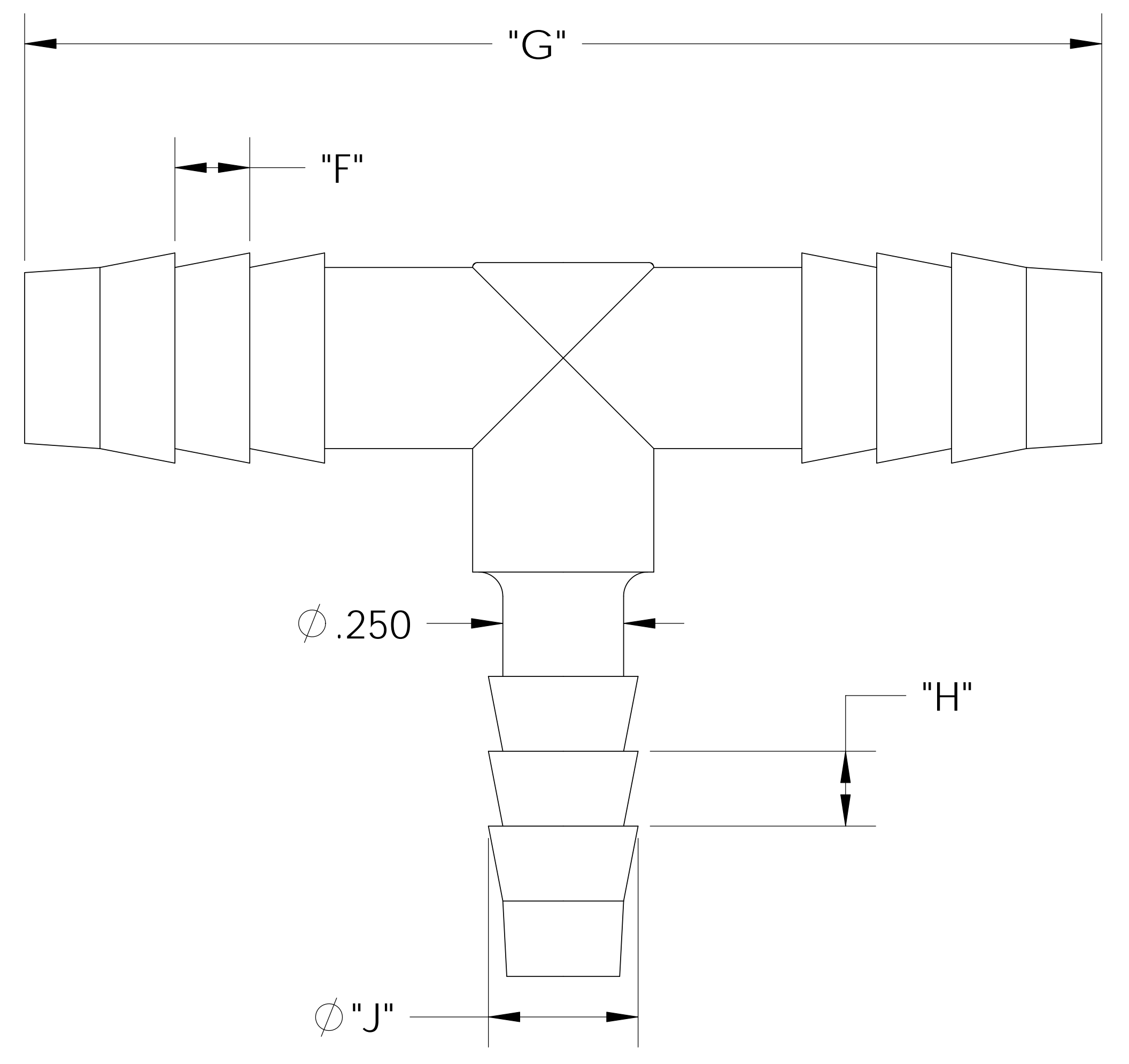
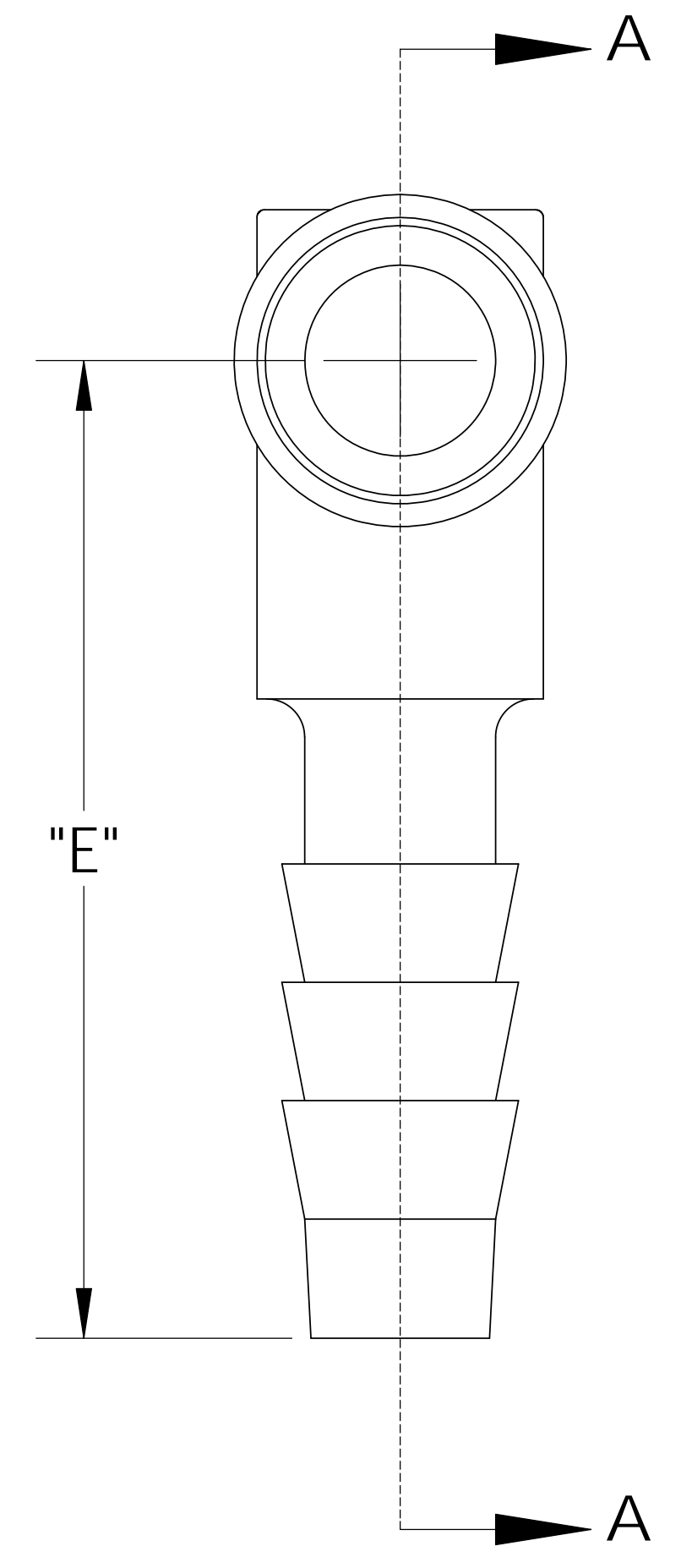


UNCONTROLLED DOCUMENT IF PRINTED; CONTROLLED DOCUMENT LOCATED IN IQMS DOCUMENT CONTROL



SECTION A-A



CATALOG NO.	DESCRIPTION	MATERIAL	DIM "A"	DIM "B"	DIM "C"	DIM "D"	DIM "E"	DIM "F"	DIM "G"	DIM "H"	DIM "J"
TT9466/PP	1/4 X 3/8 X 3/8 PP	POLYPROPYLENE	.245	.150	.370	.430	1.22	.155	2.22	.155	.310
TT9466/P	1/4 X 3/8 X 3/8 P	POLYETHYLENE	.245	.150	.365	.430	1.22	.135	2.14	.140	.305
SHOWN TT9466/N	1/4 X 3/8 X 3/8 N	NYLON	.250	.155	.375	.435	1.28	.155	2.23	.155	.310

NOTES:  
 1) POLYPROPYLENE HAS COLOR OPTIONS:  
 BLACK = TT9466/PPB  
 NATURAL = TT9466/PPN

**PROPRIETARY AND CONFIDENTIAL**  
 THE INFORMATION CONTAINED IN THIS DRAWING IS THE SOLE PROPERTY OF THOGUS PRODUCTS COMPANY. ANY REPRODUCTION IN PART OR AS A WHOLE WITHOUT THE WRITTEN PERMISSION OF THOGUS PRODUCTS COMPANY IS PROHIBITED.

REV	WRO#	DESCRIPTION
		HISTORY
D	95.00053	CONVERTED TO 3D FORMAT

UNLESS OTHERWISE SPECIFIED:		
DIMENSIONS ARE IN INCHES		
TOLERANCES:		
ANGULAR: $\pm 0.5^\circ$		
X.X = $\pm 0.1$		
X.XX = $\pm 0.05$		
X.XXX = $\pm 0.015$		
REMOVE ALL SHARP EDGES AND BURRS		
BLEND ALL RADII TO 0.01IN		
INTERPRET GEOMETRIC TOLERANCING PER: ANSI Y 14.5 1994		
MATERIAL: PP, P, N		
FINISH: NA		
THIRD ANGLE PROJECTION:		
NAME	DATE	
DRAWN: KDJ	12/17/2010	
CHECKED: JRM	12/18/2010	
ENG APPR: JM	12/19/10	
MFG APPR: ML	12/19/10	
Q.A.: NJW	12/19/2010	
COMMENTS:		

33490 PIN OAK, AVON LAKE, OH 44012  
**TITLE:**  
 1/4 BARB X 3/8 BARB X 3/8 BARB TEE  
**SIZE** B **DWG. NO.** TT9466 **REV** D  
**SCALE:** 2:1 **MASS:** **SHEET** 1 OF 1

DO NOT SCALE DRAWING