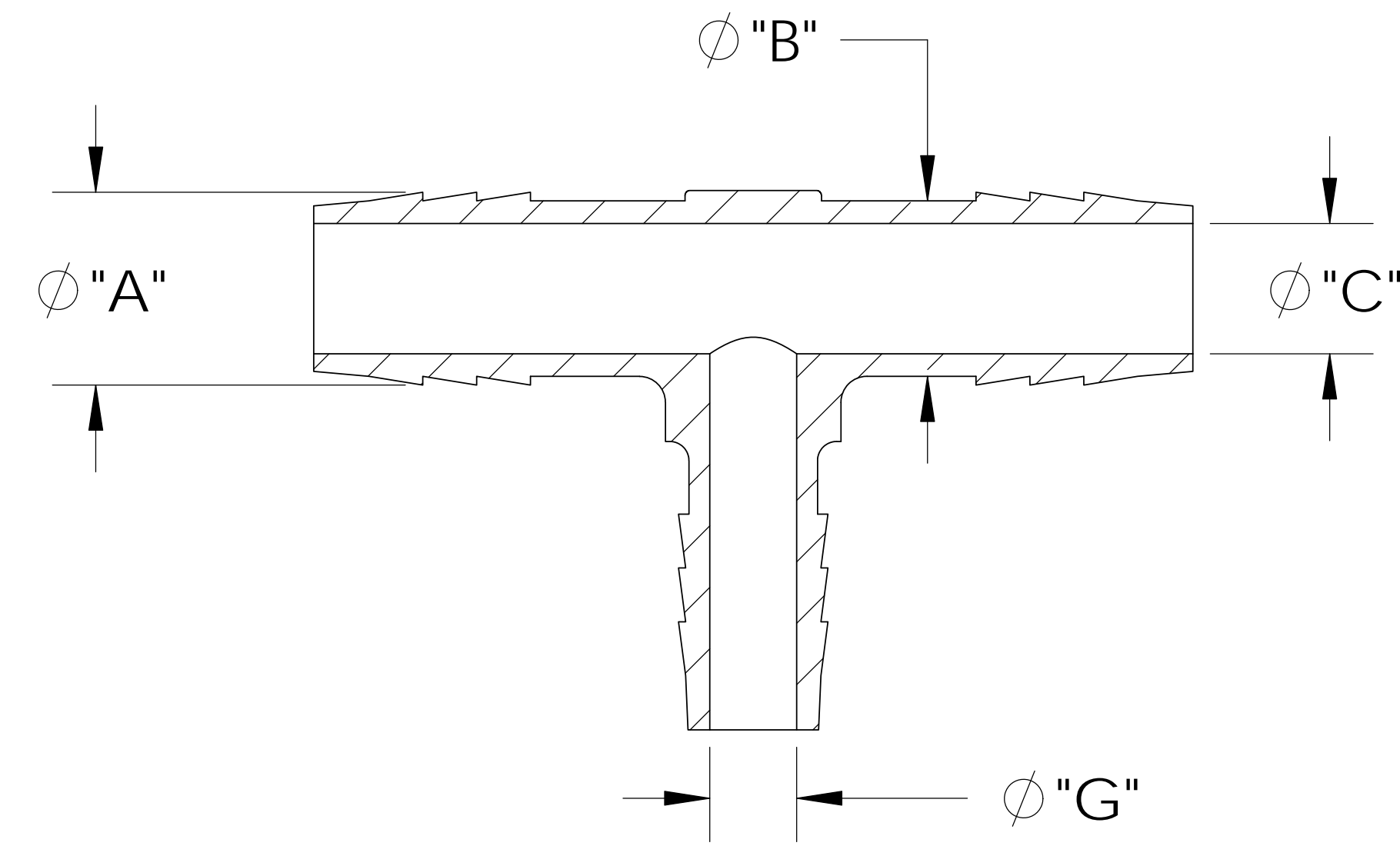
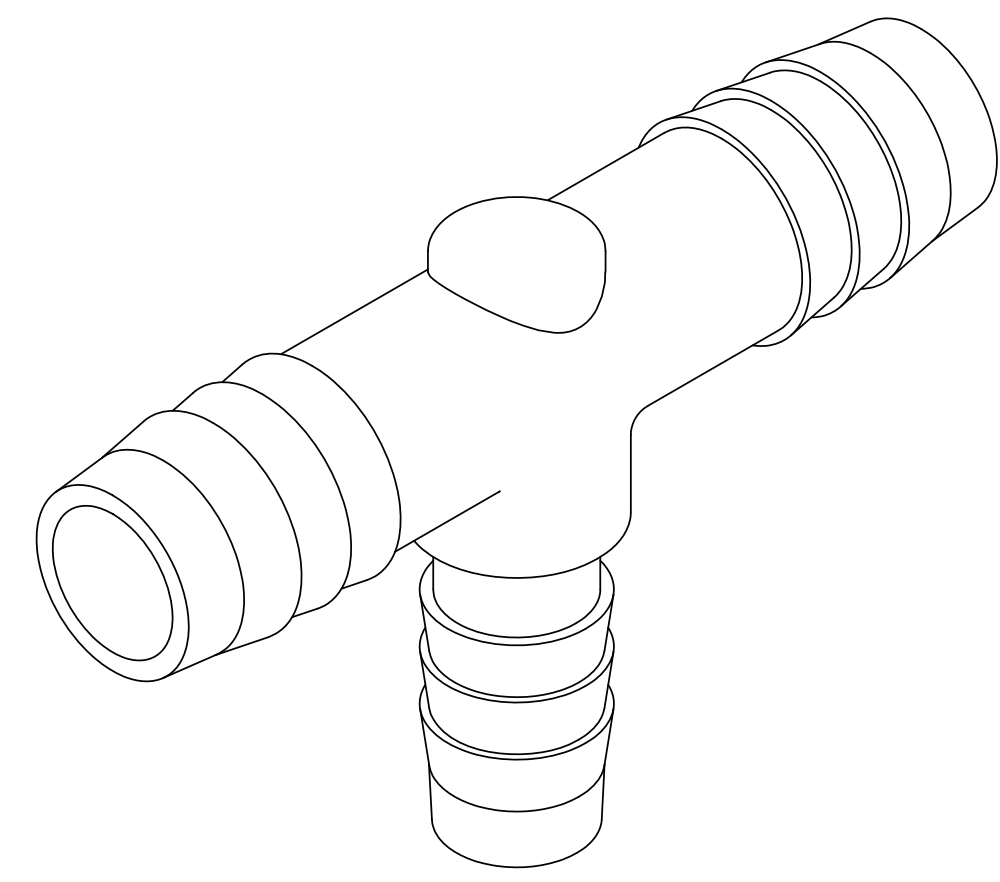
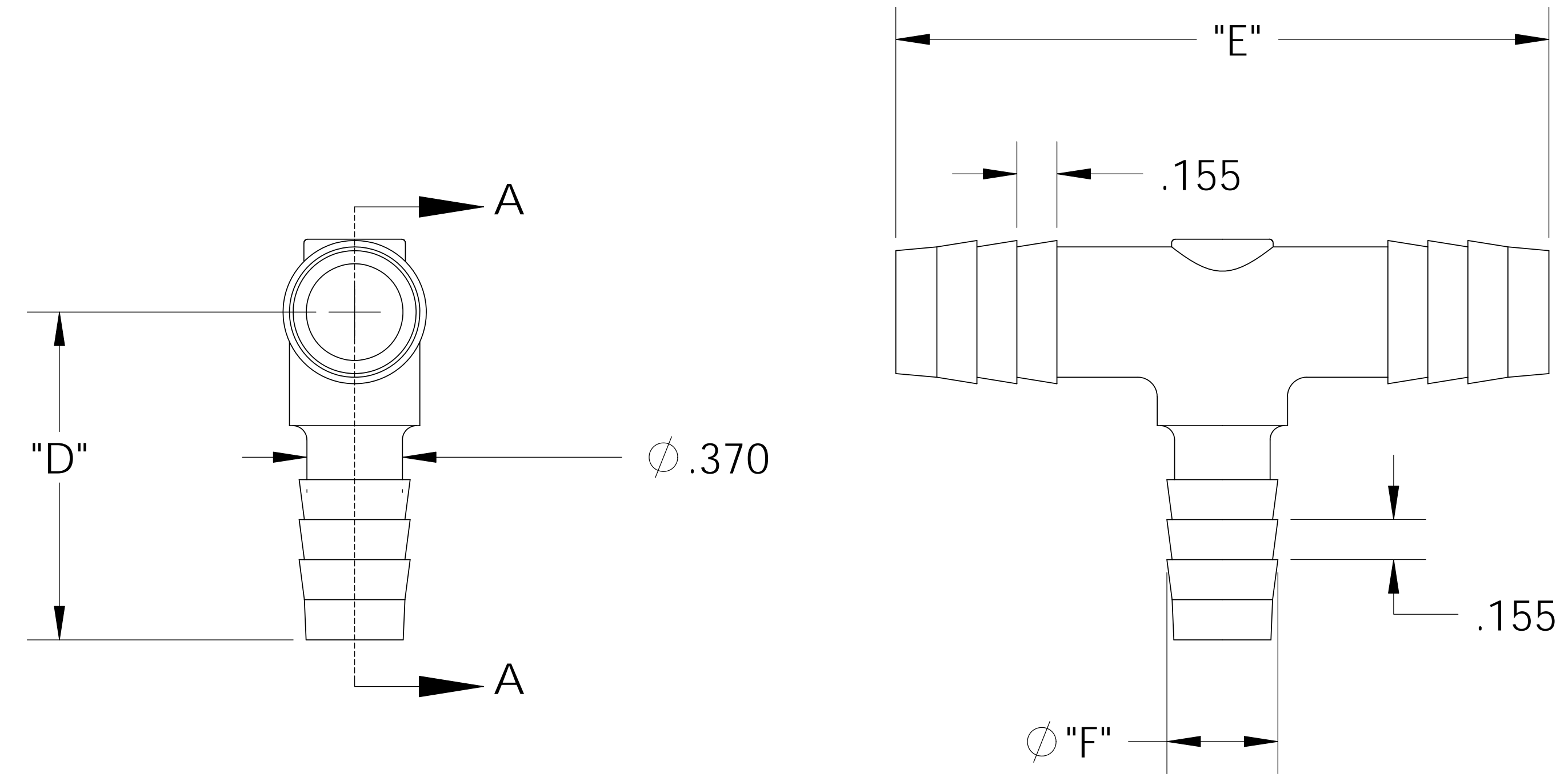


UNCONTROLLED IF PRINTED, CONTROLLED COPY LOCATED IN IQMS DOCUMENT CONTROL



SECTION A-A



CATALOG NO.	DESCRIPTION	MATERIAL	DIM "A"	DIM "B"	DIM "C"	DIM "D"	DIM "E"	DIM "F"	DIM "G"
TT9688/PP	3/8 X 1/2 X 1/2 PP	POLYPROPYLENE	.550	.495	.370	1.26	2.50	.425	.245
TT9688/P	3/8 X 1/2 X 1/2 P	POLYETHYLENE	.545	.495	.365	1.21	2.44	.425	.245
TT9688/N	3/8 X 1/2 X 1/2 N	NYLON	.555	.505	.375	1.27	2.53	.430	.250

SHOWN

NOTES:


- 1) POLYPROPYLENE HAS COLOR OPTIONS:  
 BLACK = TT9688/PPB  
 NATURAL = TT9688/PPN

**PROPRIETARY AND CONFIDENTIAL**  
 THE INFORMATION CONTAINED IN THIS DRAWING IS THE SOLE PROPERTY OF THOGUS PRODUCTS COMPANY. ANY REPRODUCTION IN PART OR AS A WHOLE WITHOUT THE WRITTEN PERMISSION OF THOGUS PRODUCTS COMPANY IS PROHIBITED.

REV	WRO#	DESCRIPTION
F	95.00053	CONVERTED TO 3D FORMAT
HISTORY		

UNLESS OTHERWISE SPECIFIED:  
 DIMENSIONS ARE IN INCHES  
 TOLERANCES:  
 ANGULAR: ±0.5°  
 X.X = ± 0.1  
 X.XX = ± 0.05  
 X.XXX = ± 0.015  
 REMOVE ALL SHARP EDGES AND BURRS  
 BLEND ALL RADII TO 0.01IN  
 INTERPRET GEOMETRIC TOLERANCING PER: ANSI Y 14.5 1994  
 MATERIAL: PP, P, N  
 FINISH: NA  
 THIRD ANGLE PROJECTION:

	NAME	DATE
DRAWN	KDJ	12/20/10
CHECKED	KDJ	12/20/10
ENG APPR.	JM	12/21/10
MFG APPR.	ML	12/21/10
Q.A.	NJW	12/21/10

  
**Thogus** You think it, we can make it...  
 33490 PIN OAK, AVON LAKE, OH 44012  
**TITLE:**  
 3/8 BARB X 1/2 BARB X 1/2 BARB TEE

SIZE <b>B</b>	DWG. NO. TT9688	REV <b>F</b>
SCALE: 1:1		MASS:
DO NOT SCALE DRAWING		SHEET 1 OF 1