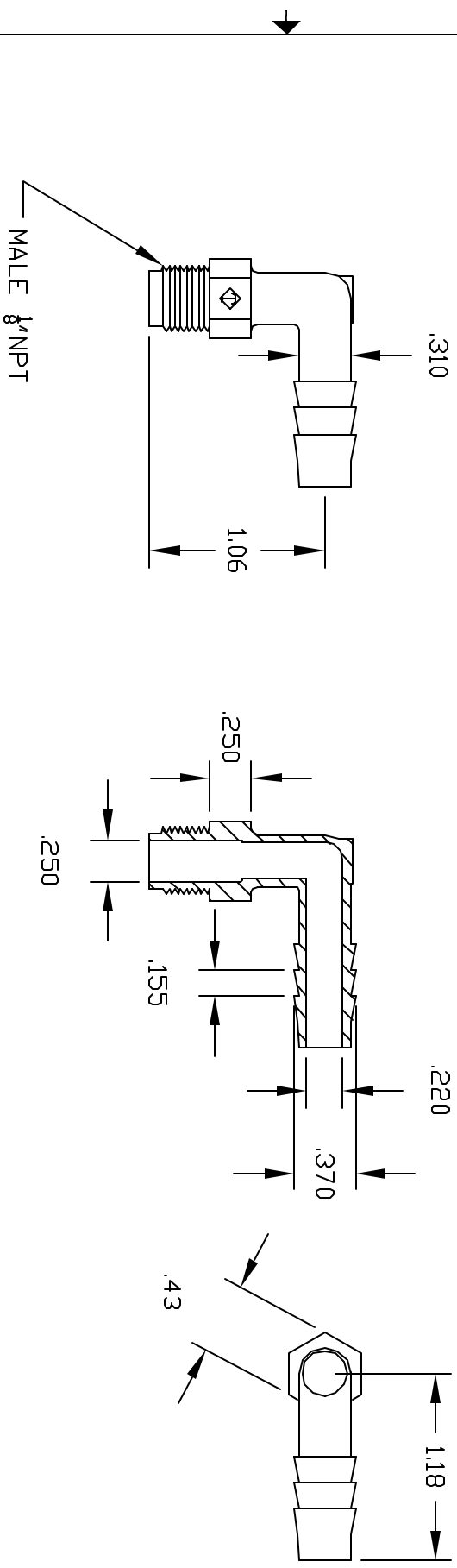


REVISIONS				
ZONE	REV	DESCRIPTION	DATE	APPROVED
	A	REDRAWN & RELEASED	11/97	11/97
	B	UPDATE DWG. WITH NEW THREAD TOOLING	5/8/00	BM
	C	MODIFY BARB	9/03	



CONTROLLED DOCUMENT
ONLY IF IN RED

CONDONANTIAL
THIS PRINT AND THE SPECIFICATIONS ARE THE PROPERTY OF THOGUS PRODUCTS COMPANY AND HAVE BEEN ISSUED WITH THE UNDERSTANDING THAT ALL INFORMATION CONTAINED HEREIN IS UNCLASSIFIED AND IS TO BE RELEASED TO THE PUBLIC AND TO OTHERS AND WILL BE RETURNED UPON REQUEST.

UNLESS OTHERWISE SPECIFIED DIMENSIONS ARE IN INCHES		DRAWN		DATE	
1/8 NPT X 5/16 BARBED ELBOW	NM	11/97			
THOGUS PRODUCTS	2025N	Part NUMBER			
33490 PIN DAK PARKWAY	NYLON	TE2025/N			
AVON LAKE OHIO 44012		SCALE 1:1	SHEET 1	of	1