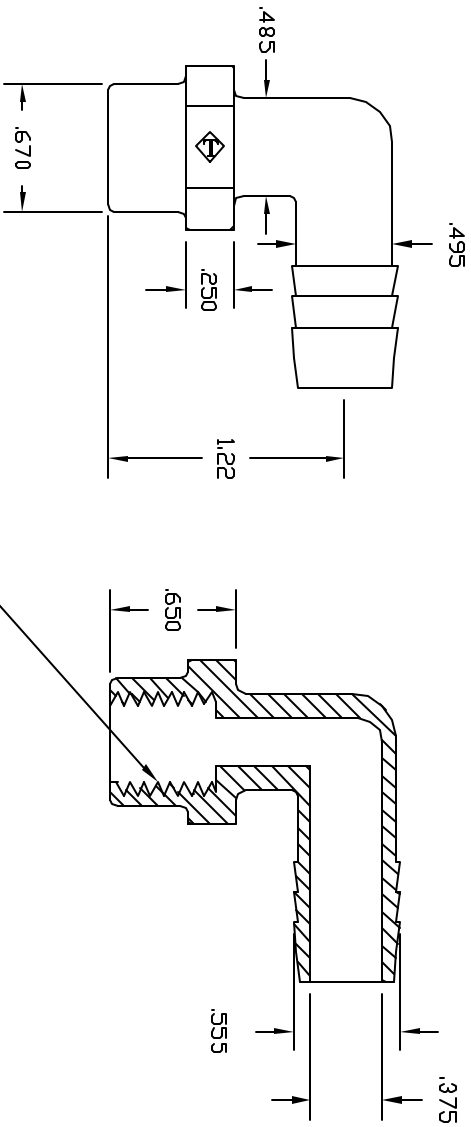
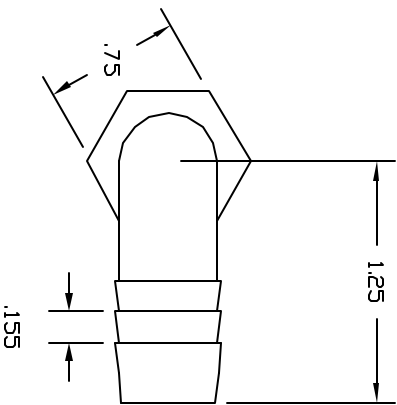


REVISIONS			
REV	DESCRIPTION	DATE	APPROVED
A	DRAWN & RELEASED	04/02	04/02
B	UPDATE DWG	9/07	9/07



FEMALE 1/4-18* NPT



CONFIDENTIAL
 THIS PRINT AND THE SPECIFICATIONS ARE THE PROPERTY OF THOGUS PRODUCTS COMPANY AND HAVE BEEN ISSUED WITH THE UNDERSTANDING THAT ALL INFORMATION CONTAINED HEREIN IS UNCLASSIFIED AND THE RIGHTS OF THE MANUFACTURER FOR OTHERS AND WILL BE RETURNED UPON REQUEST.

UNLESS OTHERWISE SPECIFIED DIMENSIONS ARE IN INCHES
 DECIMAL TOLERANCES SHALL BE:
 .XX +/- .05
 .XXX +/- .015
 DRAWN: BM
 P/DRAWN: TEF2048N
 MATERIAL: NYLON

Part Name: 1/4NPT FEMALE X1/2 BARB FEMALE ELBOW
 Part Number: TEF2048/N
 SCALE: 1:1
 SHEET 1 of 1
 REV B
THOGUS PRODUCTS
 33490 PIN DAK PARKWAY
 AYOON LAKE OHIO 44012

CONTROLLED DOCUMENT
 ONLY IF IN RED