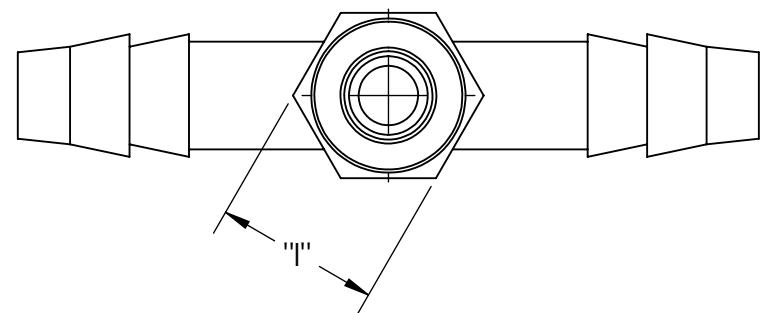
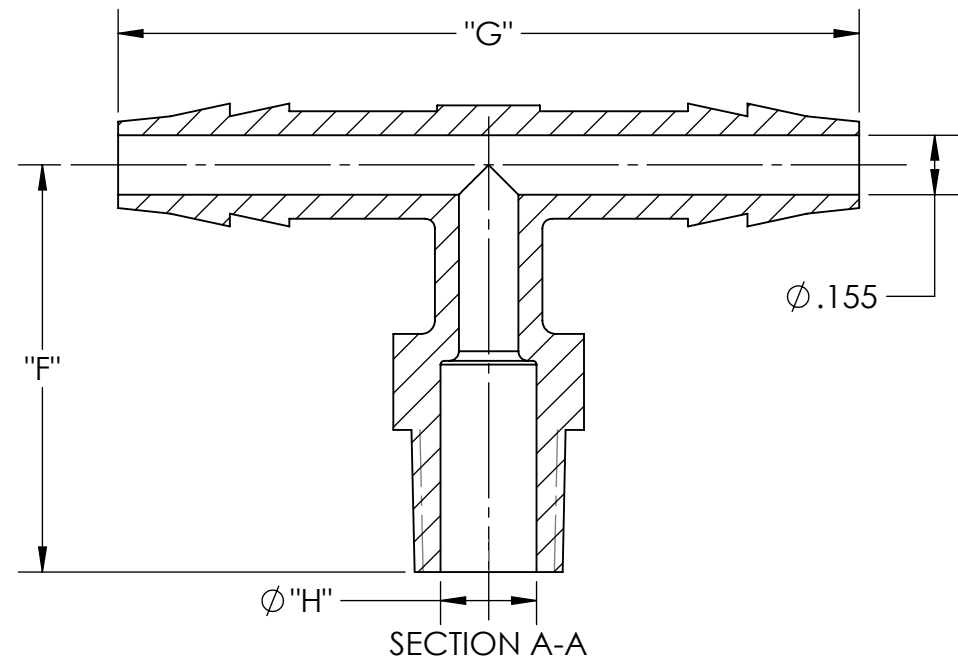


MALE 1/8"-27 NPT



SHOWN

CATALOG NO.	DESCRIPTION	MATERIAL	DIM "A"	DIM "B"	DIM "C"	DIM "D"	DIM "E"	DIM "F"	DIM "G"	DIM "H"	DIM "I"
TT3244/PP	1/8" X 1/4" X 1/4" PP	POLYPROPYLENE	.275	.315	.278	.25	.37	1.05	1.90	.245	.42
TT3244/P	1/8" X 1/4" X 1/4" P	POLYETHYLENE	.280	.315	.280	.24	.36	1.050	1.85	.245	.42
TT3244/N	1/8" X 1/4" X 1/4" N	NYLON	.280	.320	.280	.25	.37	1.06	1.93	.250	.43

NOTES:

- 1) POLYPROPYLENE HAS COLOR OPTIONS:
BLACK = TT3244/PPB
NATURAL = TT3244/PPN

PROPRIETARY AND CONFIDENTIAL
THE INFORMATION CONTAINED IN THIS DRAWING IS THE SOLE PROPERTY OF THOGUS PRODUCTS COMPANY. ANY REPRODUCTION IN PART OR AS A WHOLE WITHOUT THE WRITTEN PERMISSION OF THOGUS PRODUCTS COMPANY IS PROHIBITED.

REV	WRO#	DESCRIPTION
F	95.00132	CONVERTED TO 3D FORMAT
HISTORY		

UNLESS OTHERWISE SPECIFIED:
DIMENSIONS ARE IN INCHES
TOLERANCES:
ANGULAR: $\pm 0.5^\circ$
X.X = ± 0.1
X.XX = ± 0.05
X.XXX = ± 0.015
REMOVE ALL SHARP EDGES AND BURRS
BLEND ALL RADII TO 0.01IN
INTERPRET GEOMETRIC TOLERANCING PER: ANSI Y 14.5 1994
MATERIAL: PP, P, N
FINISH: NA
THIRD ANGLE PROJECTION:

	NAME	DATE
DRAWN	JRM	05/25/11
CHECKED	KDJ	05/25/11
ENG APPR.		XX/XX/XX
MFG APPR.		XX/XX/XX
Q.A.		XX/XX/XX
COMMENTS:		

Thogus You think it, we can make it...
33490 PIN OAK, AVON LAKE, OH 44012

TITLE:
1/8" NPT X 1/3" BARB X 1/4" BARB TEE

SIZE B	DWG. NO. TE3244	REV F
SCALE: 2:1		MASS:
DO NOT SCALE DRAWING		SHEET 1 OF 1