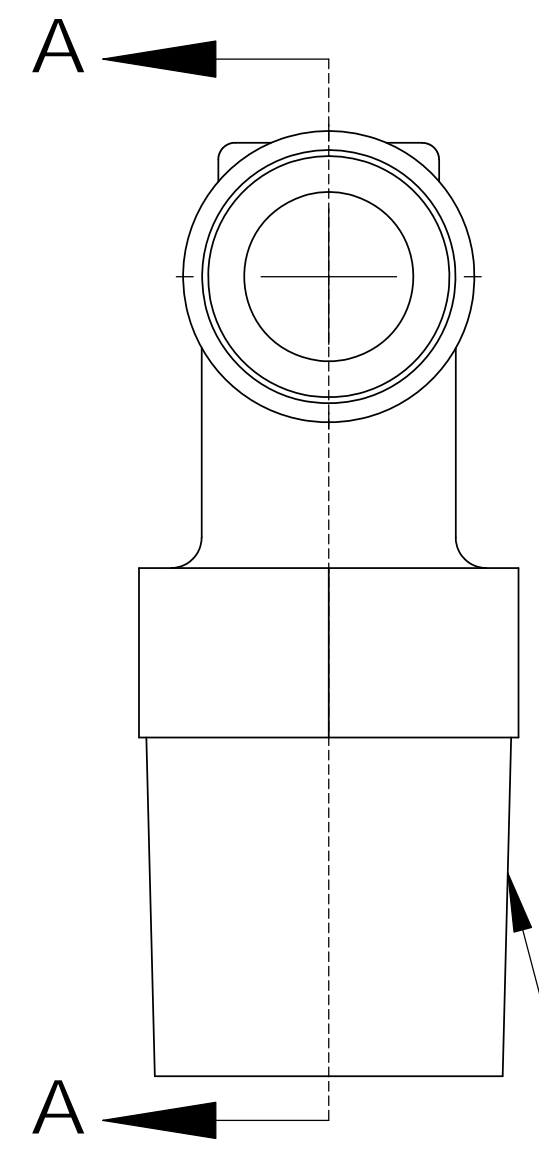
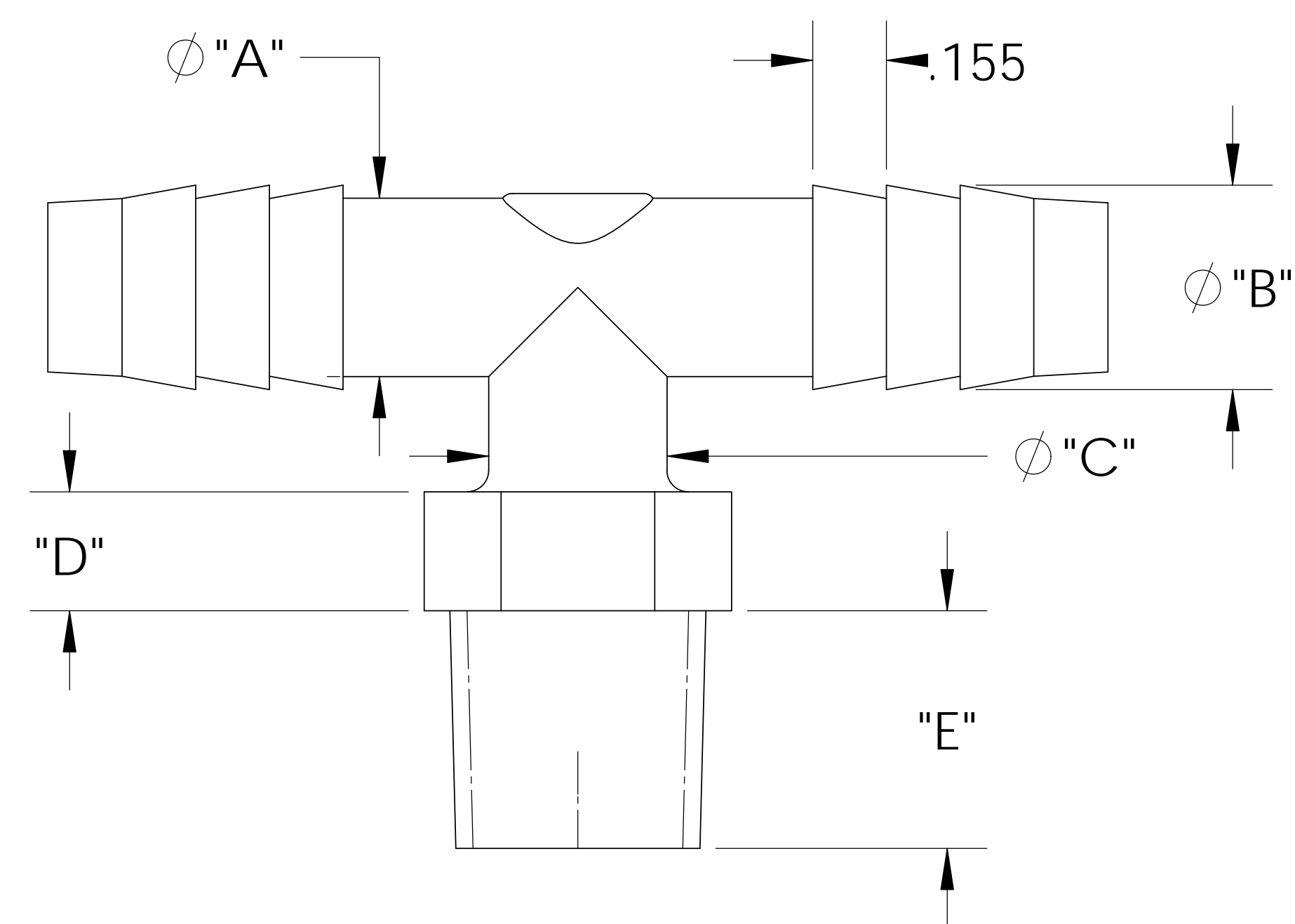
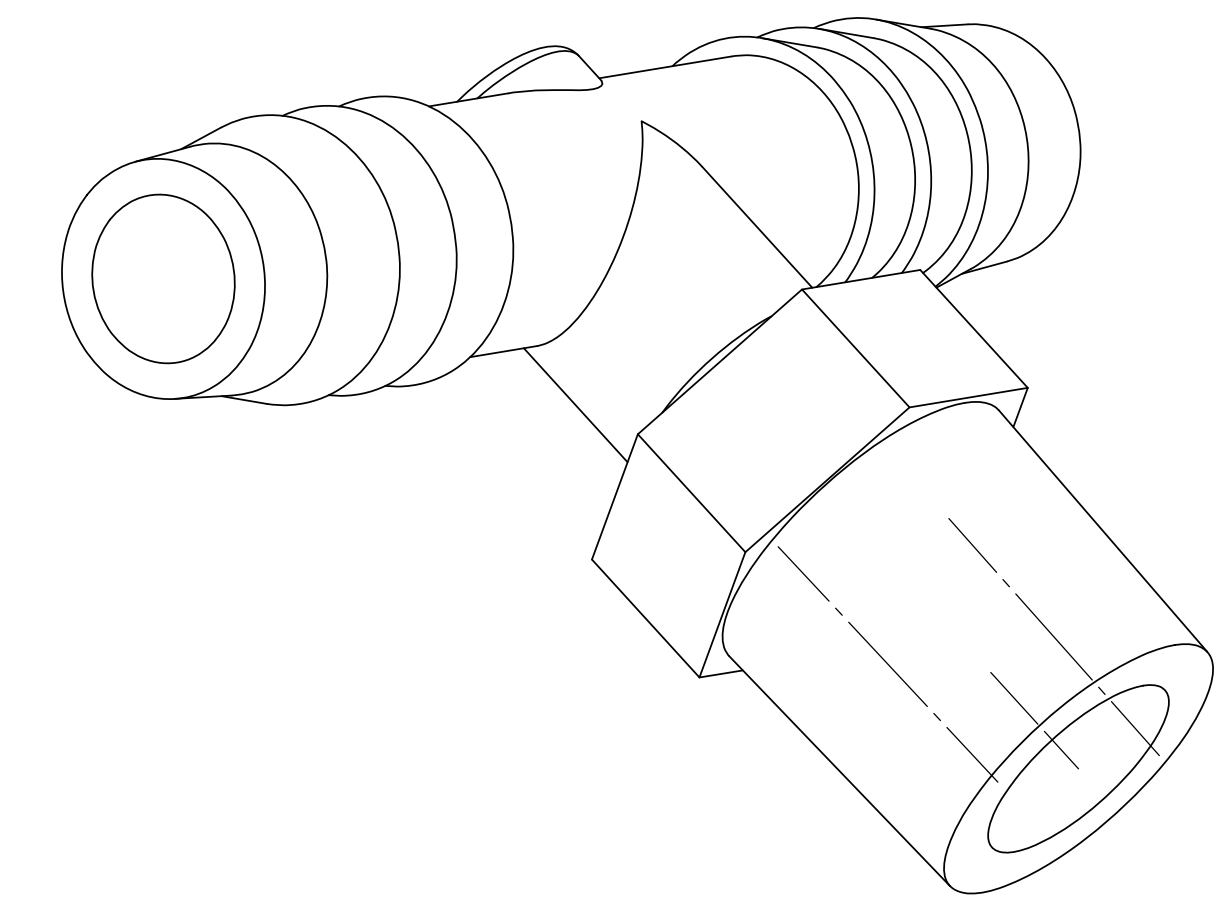
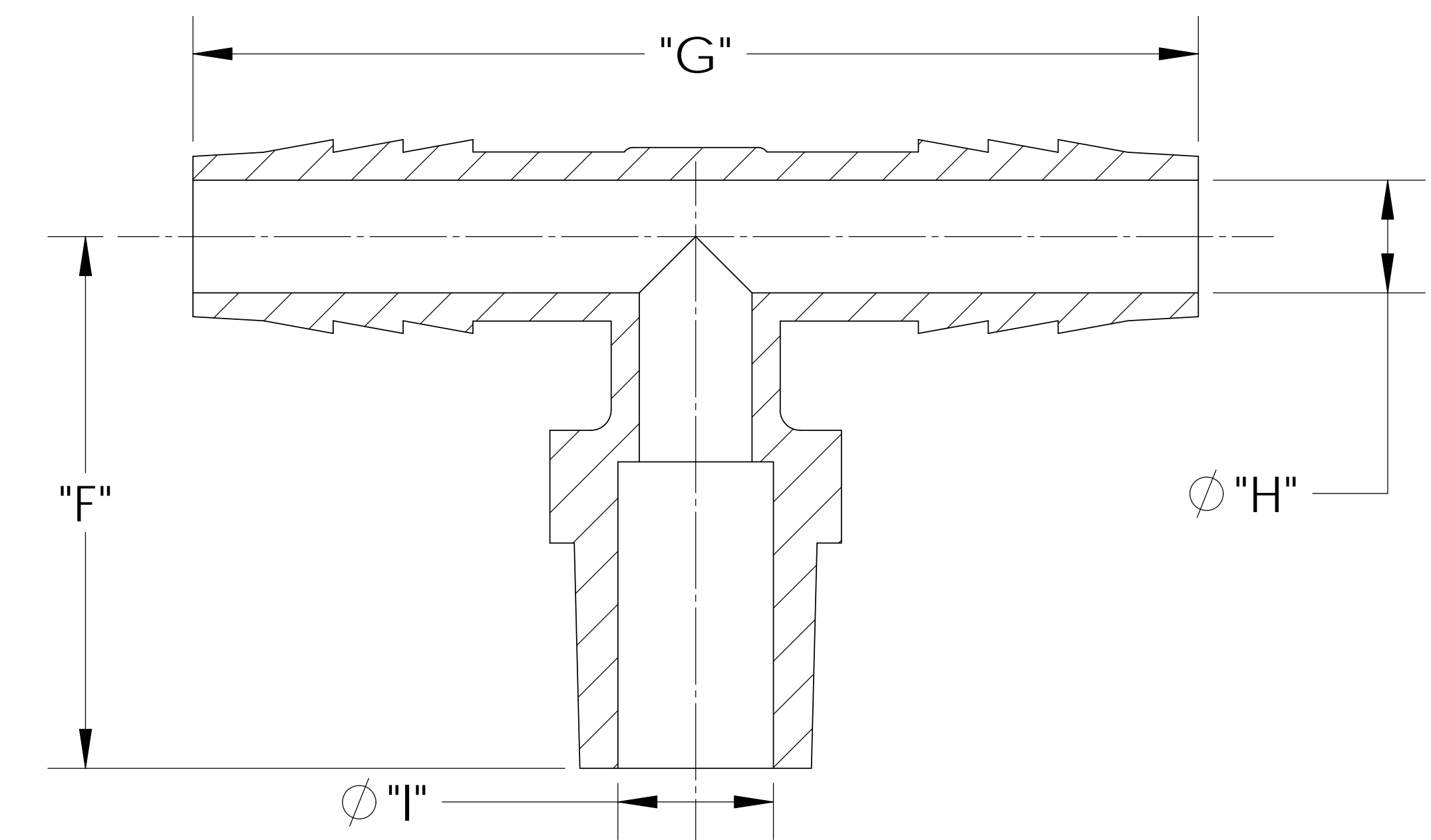


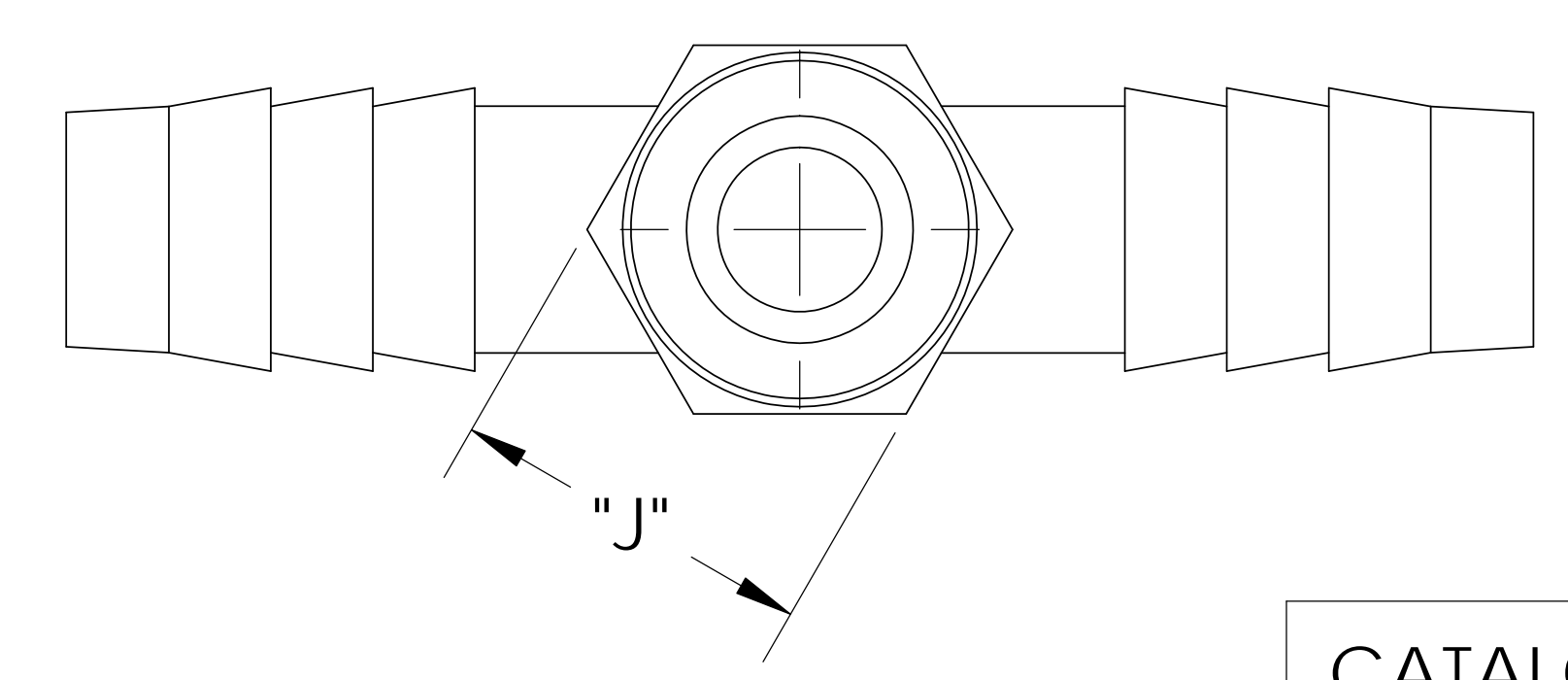
8 7 6 5 4 3 2 1



MALE 1/4"-18 NPT



SECTION A-A



SHOWN

CATALOG NO.	DESCRIPTION	MATERIAL	DIM "A"	DIM "B"	DIM "C"	DIM "D"	DIM "E"	DIM "F"	DIM "G"	DIM "H"	DIM "I"	DIM "J"
TT3466/PP	1/4" X 3/8" X 3/8" PP	POLYPROPYLENE	.365	.425	.365	.24	.49	1.17	2.21	.245	.340	.55
TT3466/P	1/4" X 3/8" X 3/8" P	POLYETHYLENE	.370	.430	.370	.24	.48	1.14	2.17	.245	.340	.55
TT3466/N	1/4" X 3/8" X 3/8" N	NYLON	.375	.430	.375	.25	.50	1.18	2.23	.250	.345	.56

NOTES:

- 1) POLYPROPYLENE HAS COLOR OPTIONS:
 BLACK = TT3466/PPB
 NATURAL = TT3466/PPN

PROPRIETARY AND CONFIDENTIAL
 THE INFORMATION CONTAINED IN THIS DRAWING IS THE SOLE PROPERTY OF THOGUS PRODUCTS COMPANY. ANY REPRODUCTION IN PART OR AS A WHOLE WITHOUT THE WRITTEN PERMISSION OF THOGUS PRODUCTS COMPANY IS PROHIBITED.

REV	WRO#	DESCRIPTION
D	95.00132	CONVERTED TO 3D FORMAT
HISTORY		

UNLESS OTHERWISE SPECIFIED:
 DIMENSIONS ARE IN INCHES
 TOLERANCES:
 ANGULAR: $\pm 0.5^\circ$
 X.X = ± 0.1
 X.XX = ± 0.05
 X.XXX = ± 0.015
 REMOVE ALL SHARP EDGES AND BURRS
 BLEND ALL RADII TO 0.01IN
 INTERPRET GEOMETRIC TOLERANCING PER: ANSI Y 14.5 1994
 MATERIAL: PP, P, N
 FINISH: NA
 THIRD ANGLE PROJECTION:

	NAME	DATE
DRAWN	JRM	05/25/11
CHECKED	KDJ	05/25/11
ENG APPR.		XX/XX/XX
MFG APPR.		XX/XX/XX
Q.A.		XX/XX/XX

Thogus You think it, we can make it...
 33490 PIN OAK, AVON LAKE, OH 44012
TITLE:
 1/4" NPT X 3/8" BARB X 3/8" BARB TEE

DO NOT SCALE DRAWING	SIZE B	DWG. NO. TT3466	REV D
SCALE: 3:2	MASS:	SHEET 1 OF 1	

8 7 6 5 4 3 2 1