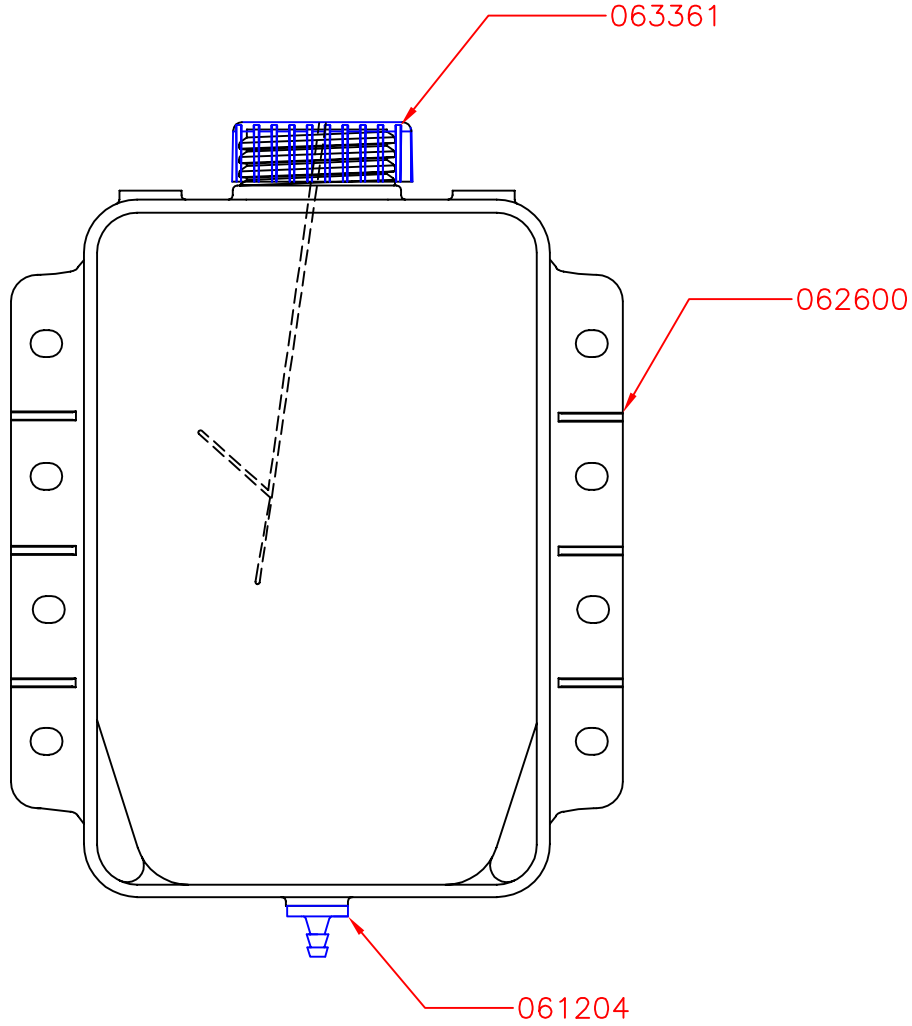


Bill of Material			REVISIONS				
Qty.	FPN	Description	ZONE	REV	DESCRIPTION	DATE	APPROVED
1	062600	4 Qt. Base Tank	N/A	A	Create Print	03/06/06	S. Wood
1	063361	2 $\frac{1}{4}$ " Vented Cap with tether and gasket					
1	061204	.312 Straight Conn. Barb (1/4" Hose ID)					



As a supplier of proprietary products, this Flambeau print serves as the controlled document and supercedes all customer prints.

CONFIDENTIAL

X.X	± 0.060
X.XX	± 0.030
X.XXX	± 0.010
ANGLES	± 1°



FLAMBEAU SOUTHEAST
Member of the Nordic Group of Companies

DESCRIPTION		4 Qt. Express Service			
CUSTOMER		Fluids			
DRAWN BY	DATE	SIZE	MOLD NO.	DWG. NO.	REV
S. Wood	03/06/06	A	4315	070300	A
APPROVED BY	DATE	SCALE	NTS	FPN	CPN
S. Wood	03/06/06			070300	N/A
					SHEET 1 OF 1