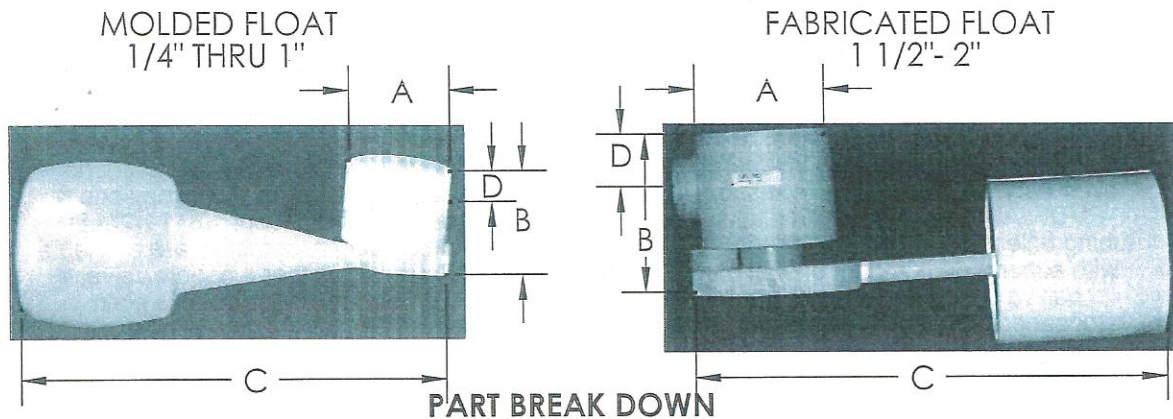
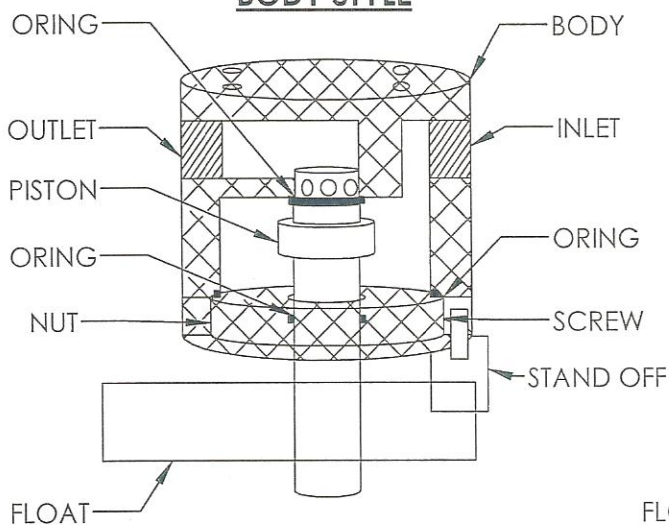


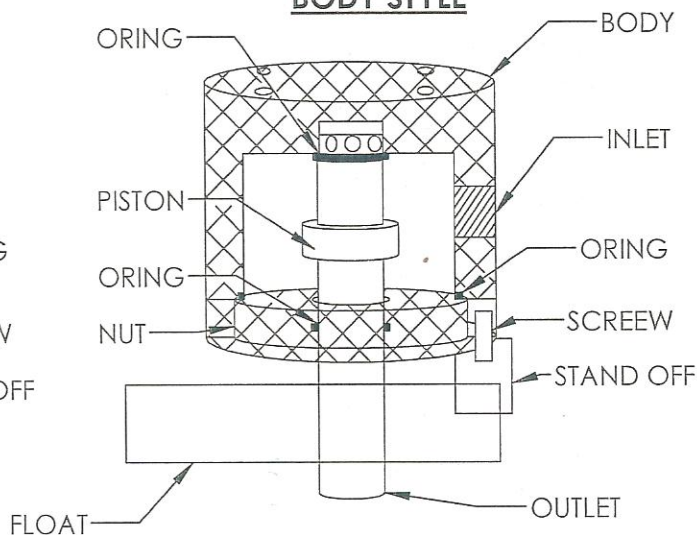
**FLOAT VALVE**



**ST- STRAIGHT THRU FLOW BODY STYLE**

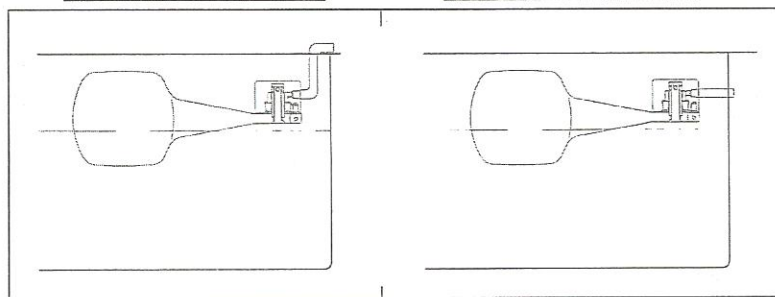


**STANDARD FLOAT BODY STYLE**



**OVER TANK WALL**

**THRU TANK WALL**



**FLOAT MOUNTING OPTIONS**

**DIMENSIONS**

SIZE	A	B	C	D
1/4"	3.0"	3.015"	12.82"	1.125"
3/8"	3.0"	3.015"	12.82"	1.125"
1/2"	3.0"	3.015"	12.82"	1.125"
3/4"	4.0"	4.31"	15.25"	1.5"
1"	4.0"	4.31"	15.25"	1.5"
1.5"	5.0"	6.25"	17.0"	2.0"
2"	5.0"	6.25"	17.0"	2.0"