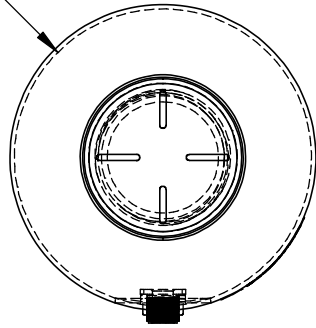
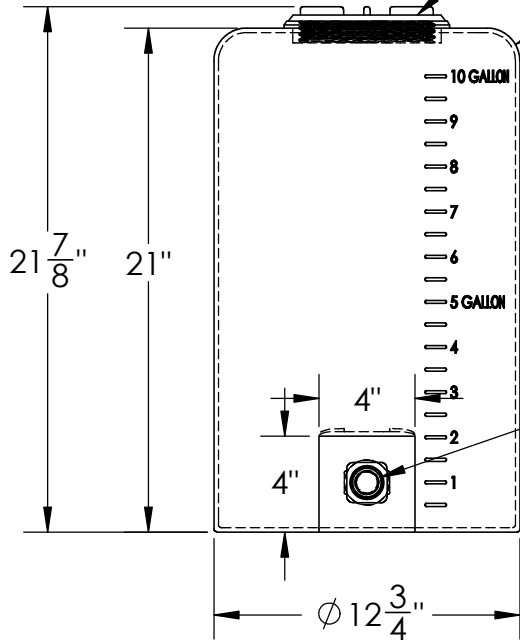


Ø 12 ³/₈" I.D.



5.5" LID #970184

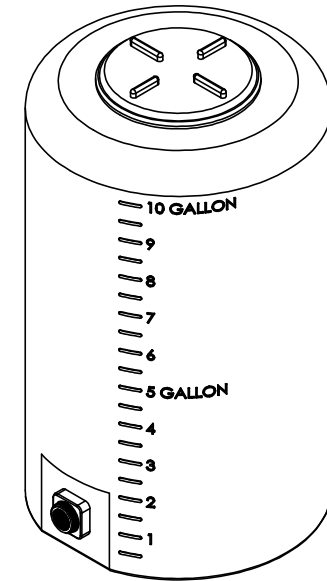
R1 ³/₈"



3/4" PP TANK FITTING #16802

R ¹/₈"

Catalog option:
Tank Stand #5060



Tamco Vertical Closed
Head Tank w/
5.5" Lid #3478



1390 Neubrecht Road
Lima, Ohio 45801

STOCK NO.

3478

REV

A

DO NOT SCALE DRAWING

WEIGHT: 7 lbs.

DIMENSIONS ARE IN INCHES TOLERANCE: ± 1/4"		NAME	DATE
MATERIAL	LLDPE - FDA resin	DRAWN	CDH 11/17/16
CAPACITY	10 US gal.	APPROVED	BAT 11/17/16
GRADUATIONS	1/2 gal.	COMMENTS:	
NOMINAL WALL THICKNESS	3/16"	Translucent UV Stabilized	

PROPRIETARY AND CONFIDENTIAL
THE INFORMATION CONTAINED IN THIS
DRAWING IS THE SOLE PROPERTY OF
TAMCO. ANY REPRODUCTION IN PART
OR AS A WHOLE WITHOUT THE WRITTEN
PERMISSION OF TAMCO IS PROHIBITED.

MAX. OPERATING TEMP. 140°F
INTERMITTENT SERVICE TO 160°F
SEE CHEMICAL RESISTANCE
CHART FOR COMPATIBILITY