

Industrial

TE-7-MD-CK



Applications

- Circulation of highly corrosive acids, alkalis, solvents, brine, plating solutions, sterile solutions, and other highly corrosive chemicals and solutions that are compatible with the pump's material of construction

Features

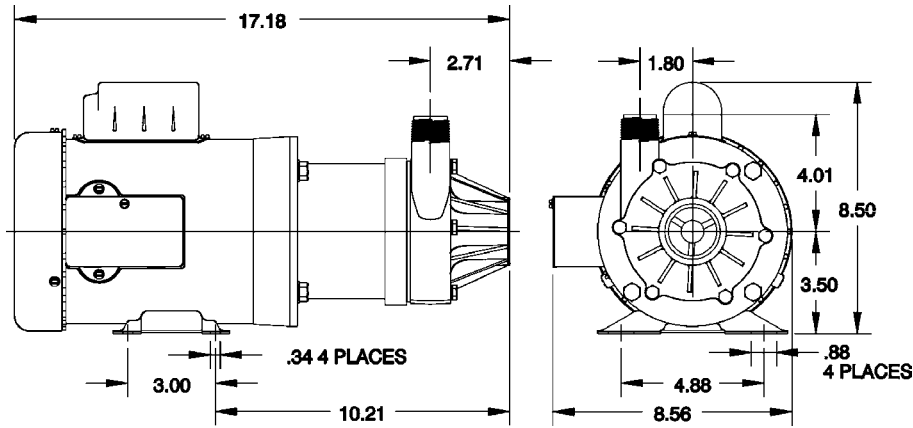
- Non-submersible for in-line use only
- Thermally protected, totally enclosed, fan cooled, capacitor start motor
- Ball bearings
- Conduit box (must be field wired – cord not included)
- Specific gravity to 1.1
- Fluid temperature to 200 °F
- Ambient air temperature to 77 °F

NOTE: Consult your local distributor or the factory for applications with higher ambient temperatures, specific gravities and viscosities.

Construction

- **Volute** — Carbon-filled Kynar®
- **Backplate** — Carbon-filled Kynar®
- **Impeller** — Carbon-filled Kynar® w/carbon-filled Teflon® (Chemloy) bushing
- **Shaft** — Ceramic
- **Thrust Washers** — Ceramic
- **O-Ring** — Viton®

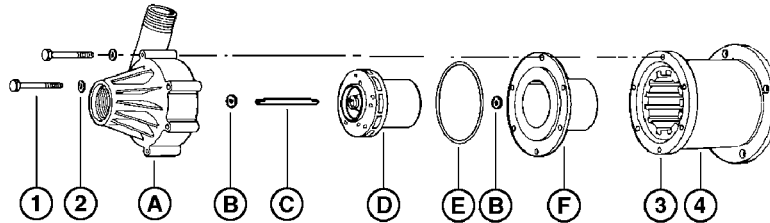
Engineering Data



NOTE: Designs and dimensions may vary for various reasons (i.e. type of motor). This information should be used as general guide rather than an unqualified guarantee. Specifications are subject to change without prior notice.

Specifications

Item No.	Model No.	HP	Volts	Hertz	Amps	Watts	Intake Size	Discharge Size	Performance (GPM @ Head, 60Hz)					Shut Off		Power Cord (ft.)	Weight (lbs.)
									1'	10'	25'	40'	50'	Feet	PSI		
587600	TE-7-MD-CK	3/4	115	50/60	10.4/11.8	1080/1230	1-1/2" FNPT	1" MNPT	53	46.7	40	30.8	21.6	58.5	25.5	N/A	40.00
			230	50/60	5.2/5.9	1080/1230			53	46.7	40	30.8	21.6	58.5	25.5		
587603	TE-7-MD-CK	3/4	230	50/60	2.4/2.9	1080/1230	1-1/2" FNPT	1" MNPT	53	46.7	40	30.8	21.6	58.5	25.5	N/A	33.00
			460	50/60	1.2/1.45	1080/1230											
587106	7-MD-CK		Pump Head Less Motor				1-1/2" FNPT	1" MNPT									8.00



Replacement Parts

Item	Part No.	Description
A	187015	Volute
B	187085	Thrust washer, ceramic
C	187056	Shaft, ceramic
D	187174	Impeller/Bushing
E	924016	O-ring, Viton®
F	187024	Backplate
1	903712	Bolt
2	921050	Washer
3	187121	Drive magnet
4	187073	Magnet housing

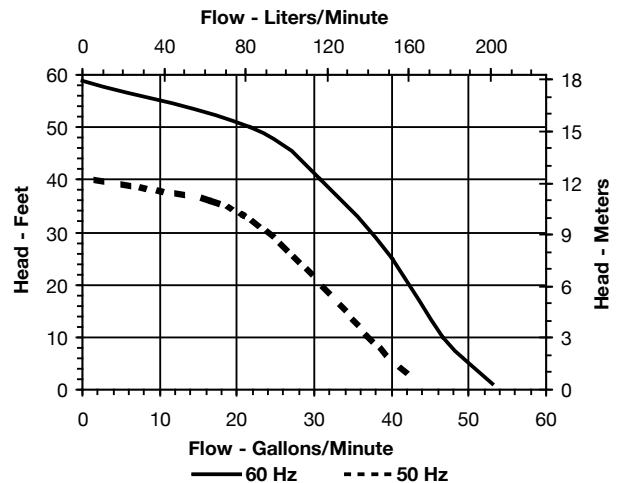
NOTE: Parts A-F contact fluid

Kynar® is a registered trademark of Arkema Inc.

Teflon® is a registered trademark of DuPont Performance Elastomers

Viton® is a registered trademark of DuPont Performance Elastomers

Performance Data



P.O. Box 12010
Oklahoma City, OK 73157-2010
Phone: 1.800.701.7894
Fax: 1.800.678.7867
www.LittleGiantPump.com