



AR Series Air Release Valves

3/4" PVC BODY WITH PP BALL

KEY FEATURES

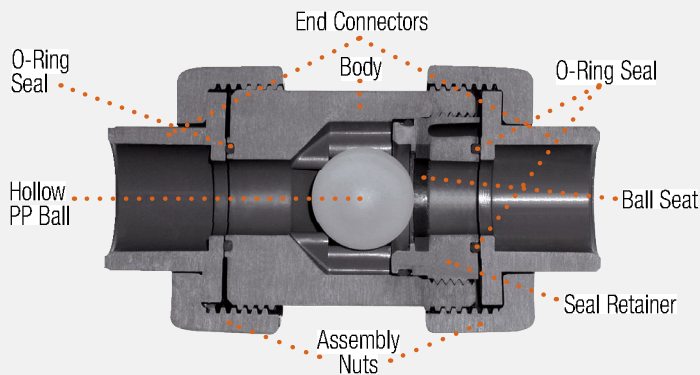
- PVC Body with PP Ball
- Reliable Tank Air Venting
- Prevents Tank Overflow
- Hollow, Floating Ball Design
- Closes at 0 PSI
- FPM or EPDM Seals
- Standard Screen

MATERIALS

- PVC Cell Class 12454 per ASTM D1784
- PP per ASTM D4101

TECHNICAL INFORMATION

CUTAWAY OF AIR RELEASE VALVE



SELECTION CHART

SIZE	MATERIAL	END CONNECTION	SEALS	PRESSURE RATING
3/4" (DN20)	PVC Body PP Ball	Socket and Threaded	FPM or EPDM	150 PSI @ 70°F Non-Shock

VENTING SPECIFICATIONS

One Air Release Valve will vent a tank with flows of up to 150 GPM (either in or out). For higher flow rates, use additional Air Release Valves.

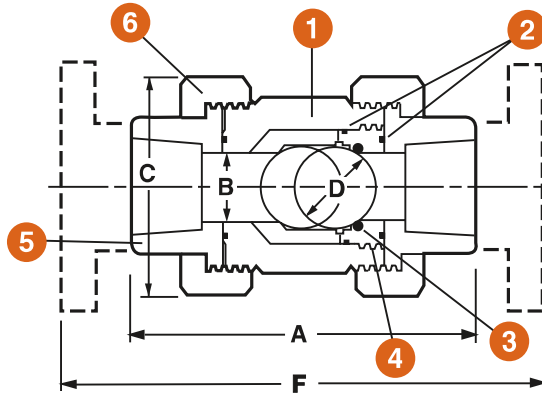
AR Series Air Release Valves

3/4" PVC BODY WITH PP BALL

TECHNICAL INFORMATION, CONTINUED

PARTS LIST

1. Body
2. O-Ring Seals
3. Square Cut O-Ring Seat
4. Seal Retainer
5. End Connector
6. Union Nut



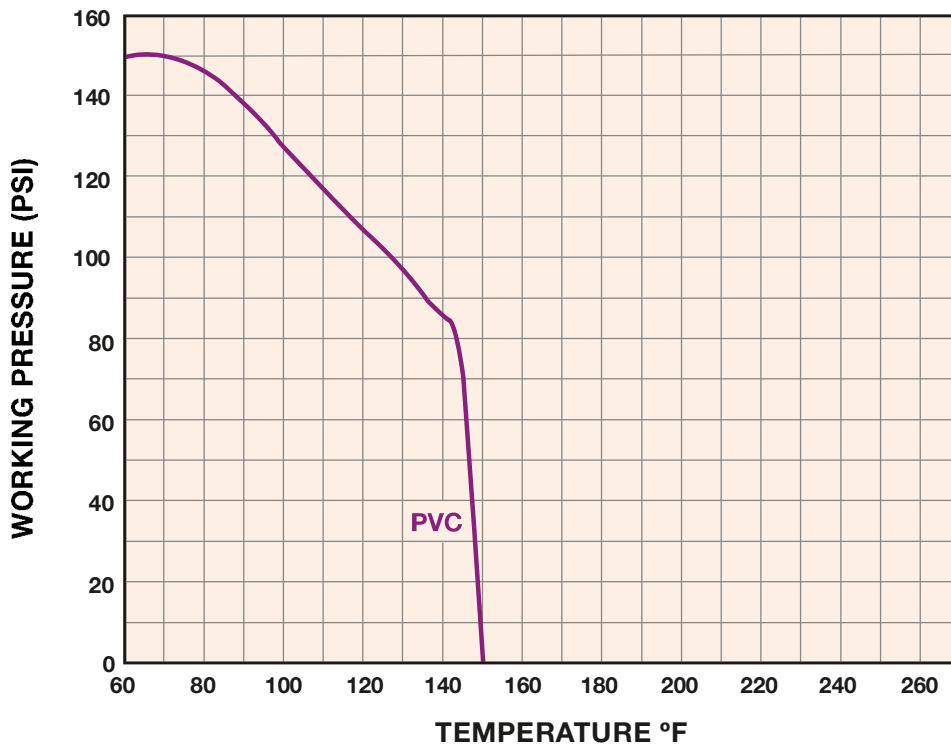
Screen installed

DIMENSIONS – INCHES / MILLIMETERS

SIZE in / DN	A in / mm	B in / mm	C in / mm	D in / mm	F in / mm	G in / mm	WEIGHT lbs / kg SOC / THD
3/4 / 20	4.75 / 121	0.75 / 19	2.63 / 67	1.00 / 25	5.0 / 127	2.60 / 66	.75 / .34

Dimensions are subject to change without notice – consult factory for installation information

OPERATING TEMPERATURE / PRESSURE



Hayward is a registered trademark of Hayward Industries, Inc. © 2011 Hayward Industries, Inc.

Contact Hayward Flow Control with questions: 1-888-429-4635 • Fax: 1-888-778-8410 • One Hayward Industrial Drive • Clemmons, NC 27012 • USA
Visit us at: www.haywardflowcontrol.com • E-mail: hflow@haywardnet.com