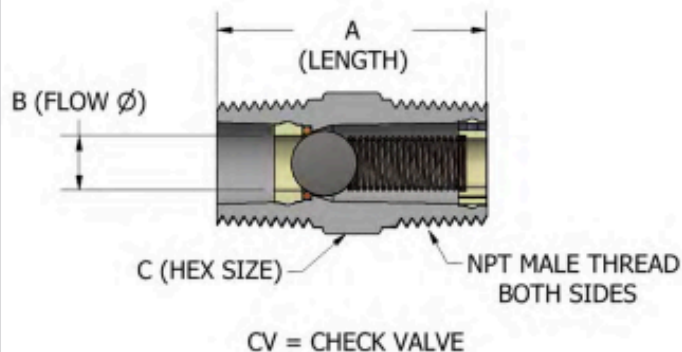
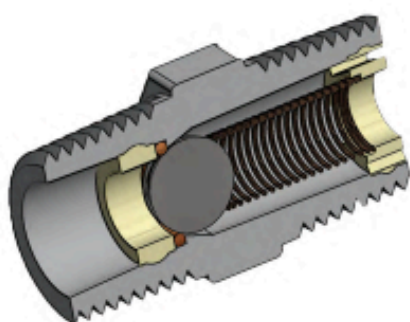


Check Valves

JACO Part No.	MATERIAL	MALE PIPE NPT	A ± 1/64	B ± 1/64	C ± 1/64
CV - 2 - K	PVDF	1/8	1	3/32	7/16
CV - 4 - K	PVDF	1/4	1-13/32	3/16	5/8
CV - 6 - K	PVDF	3/8	1-1/2	1/4	13/16
CV - 8 - K	PVDF	1/2	1-51/64	11/32	15/16

JACO Check Valve Flow Rate in GPM at Various Water Pressure

Check Valve JACO Part No.	Water Pressure			
	30 PSI	50 PSI	70 PSI	90 PSI
CV - 2 - K	0.45 gpm	0.55 gpm	0.70 gpm	0.75 gpm
CV - 4 - K	2.7 gpm	3.1 gpm	3.4 gpm	3.8 gpm
CV - 6 - K	3.0 gpm	3.5 gpm	4.0 gpm	4.5 gpm
CV - 8 - K	3.9 gpm	4.7 gpm	5.0 gpm	5.5 gpm



- Viton "O" Ring
- Stainless Ball & Spring (Grade 316)
- Maximum Operating Temp. 180°F @ 220 P.S.I.

*Alternate options include but not limited to: Hastelloy C Springs, Teflon Ball and many O-ring options

- Cracking Pressure 1-2.5 P.S.I.
- Zero Leakage
- Male Pipe NPT Style
- All valves 100% tested prior to shipment