



LA Series Lateral Three-Way True Union Ball Valves

1/2" TO 6" PVC AND CPVC

KEY FEATURES

- PVC and CPVC
- PTFE Seats
- FPM or EPDM O-Rings
- Double O-Ring Stem Seal
- Simplifies Lateral Connections
- Replaces Valve/Tee Connection Combinations
- Quick, Easy to Install
- Replacement for Zero Dead-Leg Valves

OPTIONS

- Lockouts Available
- Pneumatic and Electric Actuators
- 90° Ball

MATERIALS

- PVC Cell Class 12454 per ASTM D1784
- CPVC Cell Class 23447 per ASTM D1784
- FPM and EPDM O-Ring Seals

TECHNICAL INFORMATION

ACTUATED VALVE



SELECTION CHART

SIZE	MATERIAL	END CONNECTION	SEALS	PRESSURE RATING
1/2" – 4" (DN15 – DN100)	PVC or CPVC	Socket, Threaded or Flanged	FPM or EPDM	150 PSI @ 70°F Non-Shock
6" * (DN150)		Flanged		

* 4" valve venturied to 6"

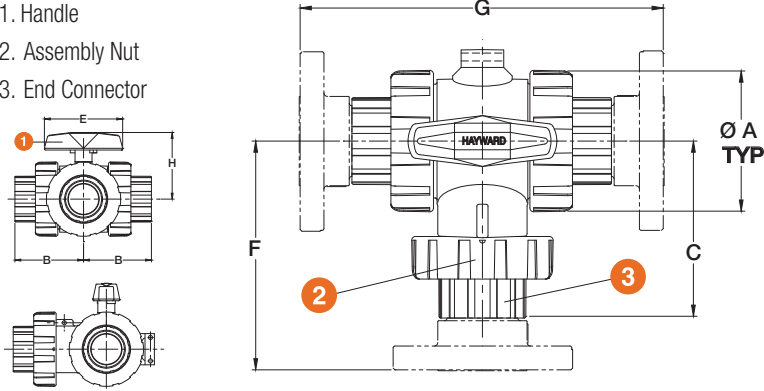
LA Series Lateral Three-Way True Union Ball Valves

1/2" TO 6" PVC AND CPVC

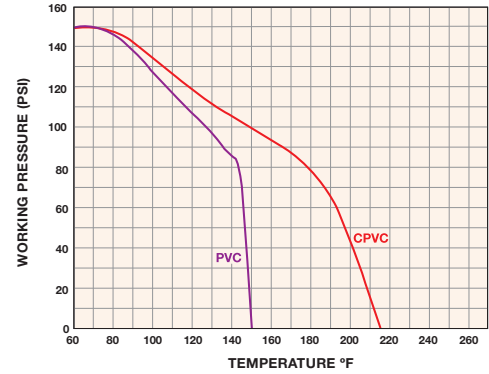
TECHNICAL INFORMATION, CONTINUED

PARTS LIST

1. Handle
2. Assembly Nut
3. End Connector



OPERATING TEMPERATURE / PRESSURE



DIMENSIONS – INCHES / MILLIMETERS

SIZE in / DN	A in / mm	B in / mm	C in / mm	E in / mm	F in / mm	G in / mm	H in / mm
1/2 / 15	2.25 / 57	2.30 / 58	3.29 / 84	3.50 / 89	3.87 / 98	6.72 / 170	1.70 / 43
3/4 / 20	2.63 / 67	2.56 / 65	3.57 / 91	3.50 / 89	4.60 / 117	7.50 / 191	2.93 / 74
1 / 25	3.00 / 76	2.98 / 76	4.14 / 105	4.00 / 102	4.77 / 121	8.50 / 216	3.23 / 82
1-1/4 / 32	4.75 / 121	4.39 / 112	5.94 / 151	4.00 / 102	5.19 / 132	11.54 / 293	4.19 / 106
1-1/2 / 40	4.75 / 121	4.30 / 109	5.87 / 149	4.00 / 102	6.00 / 152	11.85 / 301	4.19 / 106
2 / 50	4.75 / 121	4.38 / 111	6.00 / 152	5.00 / 127	6.75 / 171	12.25 / 311	4.19 / 106
2-1/2 / 63	6.40 / 163	5.90 / 150	7.59 / 193	10.50 / 267	8.68 / 220	15.92 / 404	5.35 / 136
3 / 80	6.40 / 163	5.90 / 150	7.59 / 193	10.50 / 267	8.72 / 221	16.00 / 406	5.35 / 136
4 / 100	8.56 / 217	7.00 / 178	9.33 / 237	10.50 / 267	10.44 / 265	18.88 / 480	6.85 / 174
6 / 150	8.56 / 217	N/A	N/A	10.50 / 267	11.25 / 286	20.25 / 514	6.85 / 174

Dimensions are subject to change without notice – consult factory for installation information

Cv VALUES

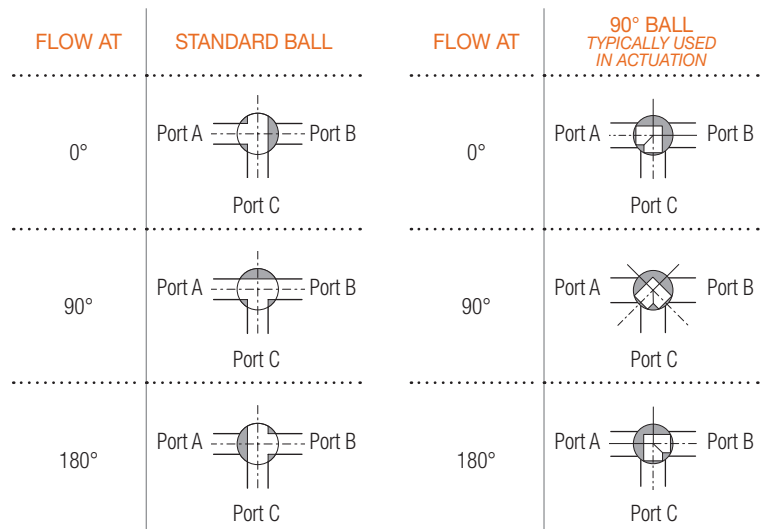
SIZE in / DN	Cv VALUES GPM	SIZE in / DN	Cv VALUES GPM
1/2 / 15	3.0	2 / 50	58.0
3/4 / 20	7.0	3 / 80	190.0
1 / 25	10.0	4 / 100	450.0
1-1/2 / 40	30.0	6 / 150	340.0

PRESSURE LOSS CALCULATION FORMULA

$$\Delta P = \left[\frac{Q}{C_v} \right]^2$$

ΔP = Pressure Drop
 Q = Flow in GPM
 C_v = Flow Coefficient

FLOW SCHEMATICS – TOP VIEW



Contact Hayward Flow Control with questions: 1-888-429-4635 • Fax: 1-888-778-8410 • One Hayward Industrial Drive • Clemmons, NC 27012 • USA
 Visit us at: www.haywardflowcontrol.com • E-mail: hflow@haywardnet.com