

## TB Series True Union Ball Valves

1/4" TO 2" PVC AND CPVC



**NSF**

Sizes 1/4" - 2"

### KEY FEATURES

- PVC and CPVC
- Full Port Design
- Reversible PTFE Seats
- Double O-Ring Stem Seals
- Easily Actuated
- NSF / ANSI 61 Listed

### OPTIONS

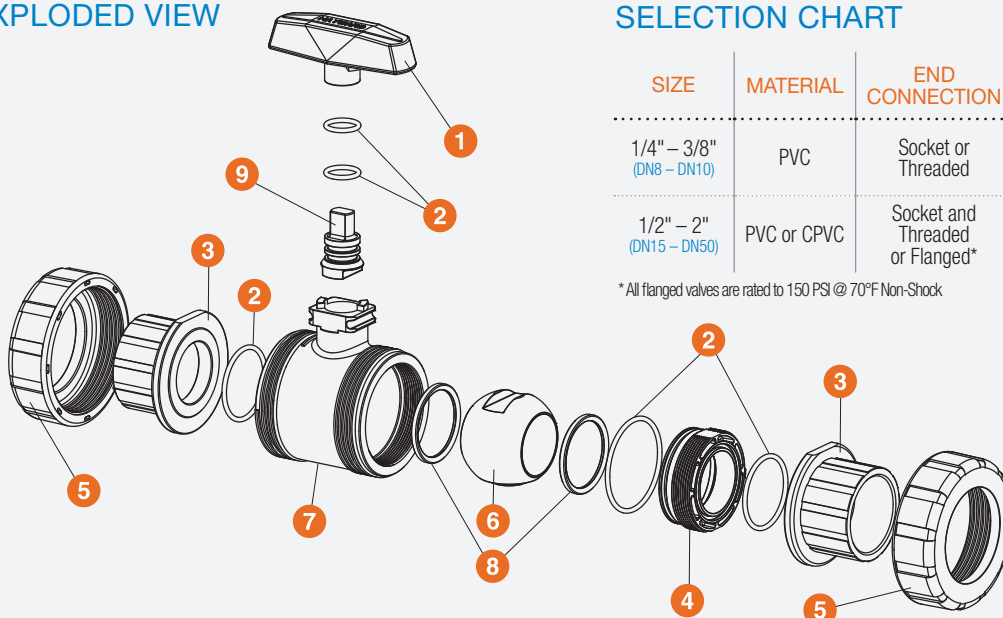
- Lockouts Available
- 2" Square Operating Nut
- Stem Extensions
- Pneumatic and Electric Actuated
- Spring Return Handle

### MATERIALS

- PVC Cell Class 12454 per ASTM D1784
- CPVC Cell Class 23447 per ASTM D1784
- FPM and EPDM O-Ring Seals

## TECHNICAL INFORMATION

### EXPLODED VIEW



### SELECTION CHART

SIZE	MATERIAL	END CONNECTION	SEALS	PRESSURE RATING
1/4" - 3/8" (DN8 - DN10)	PVC	Socket or Threaded	FPM or EPDM	250 PSI @ 70°F Non-Shock
1/2" - 2" (DN15 - DN50)	PVC or CPVC	Socket and Threaded or Flanged*	FPM or EPDM	250 PSI @ 70°F Non-Shock

\*All flanged valves are rated to 150 PSI @ 70°F Non-Shock

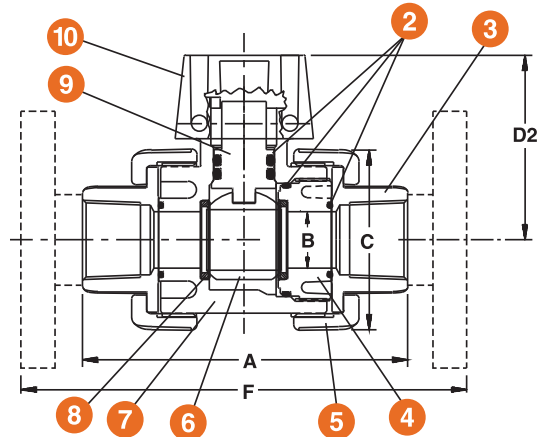
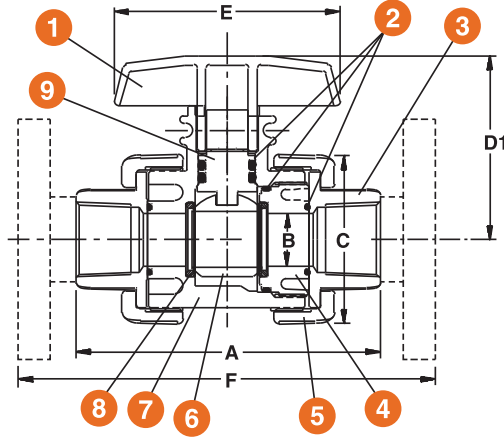
# TB Series True Union Ball Valves

1/4" TO 2" PVC AND CPVC

## TECHNICAL INFORMATION, CONTINUED

### PARTS LIST

1. Handle
2. O-Ring Seals
3. End Connector
4. Seal Retainer
5. Union Nut
6. Ball
7. Body
8. PTFE Seat
9. Stem
10. Actuator Mounting Pad



### DIMENSIONS – INCHES / MILLIMETERS

SIZE in / DN	A in / mm	B in / mm	C in / mm	D1 in / mm	D2 in / mm	E in / mm	F in / mm	WEIGHT lbs / kg	
								SOC / THD	FLANGED
1/4 / 8	4.77 / 121	.50 / 13	2.25 / 57	2.81 / 71	2.63 / 67	3.50 / 89	N/A	.75 / .34	N/A
3/8 / 10	4.77 / 121	.50 / 13	2.25 / 57	2.81 / 71	2.63 / 67	3.50 / 89	N/A	.75 / .34	N/A
1/2 / 15*	4.77 / 121	.50 / 13	2.25 / 57	2.81 / 71	2.63 / 67	3.50 / 89	6.75 / 171	.75 / .34	1.00 / .45
3/4 / 20*	4.85 / 123	.75 / 19	2.63 / 67	3.02 / 77	2.81 / 71	3.50 / 89	7.13 / 181	.75 / .34	1.00 / .45
1 / 25*	5.44 / 138	.93 / 24	3.00 / 76	3.26 / 83	3.05 / 77	4.00 / 102	8.09 / 205	1.15 / .52	2.15 / .98
1-1/4 / 32*	6.30 / 160	1.50 / 38	4.00 / 102	3.92 / 100	3.48 / 88	5.00 / 127	9.19 / 233	2.15 / .98	3.50 / 1.59
1-1/2 / 40*	6.85 / 174	1.50 / 38	4.00 / 102	3.92 / 100	3.48 / 88	5.00 / 127	9.88 / 251	2.15 / .98	3.75 / 1.70
2 / 50*	8.00 / 203	1.94 / 49	4.75 / 121	4.43 / 113	4.00 / 102	5.00 / 127	11.4 / 290	3.80 / 1.72	6.30 / 2.86

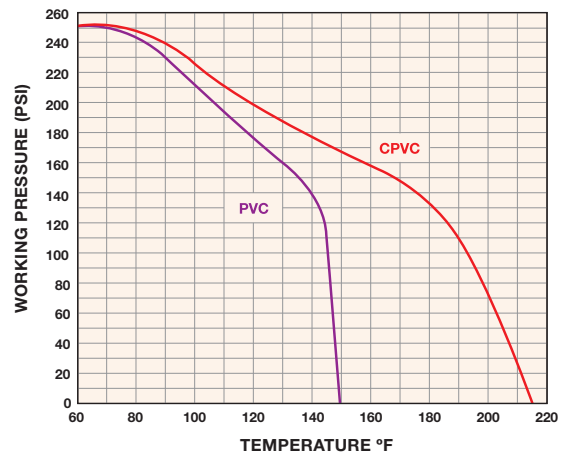
Dimensions are subject to change without notice – consult factory for installation information

\* Metric End Connections Available In: BSP – Straight Thread, BSP TR – Tapered Thread and Metric Socket

### Cv VALUES

SIZE in / DN	Cv VALUES GPM	SIZE in / DN	Cv VALUES GPM	PRESSURE LOSS CALCULATION FORMULA
1/4 / 8	1.0	1 / 25	29.0	
3/8 / 10	2.8	1-1/4 / 32	75.0	
1/2 / 15	8.0	1-1/2 / 40	90.0	
3/4 / 20	16.0	2 / 50	150.0	

### OPERATING TEMPERATURE / PRESSURE



Hayward is a registered trademark of Hayward Industries, Inc. © 2011 Hayward Industries, Inc.

Contact Hayward Flow Control with questions: 1-888-429-4635 • Fax: 1-888-778-8410 • One Hayward Industrial Drive • Clemmons, NC 27012 • USA  
Visit us at: [www.haywardflowcontrol.com](http://www.haywardflowcontrol.com) • E-mail: [hflow@haywardnet.com](mailto:hflow@haywardnet.com)