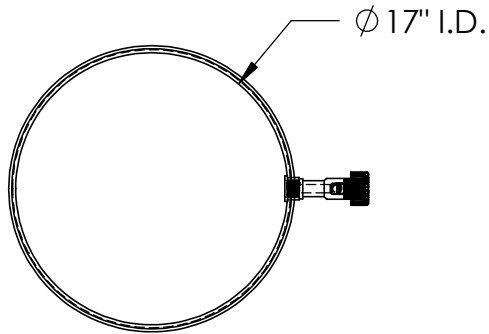
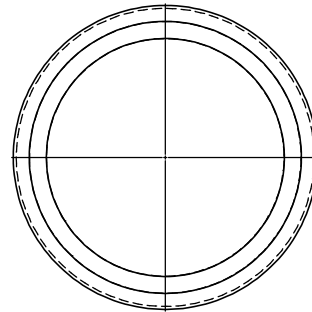


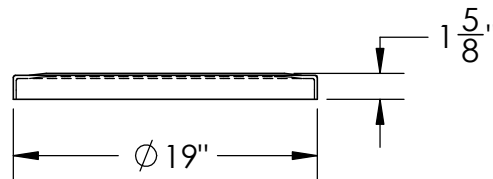
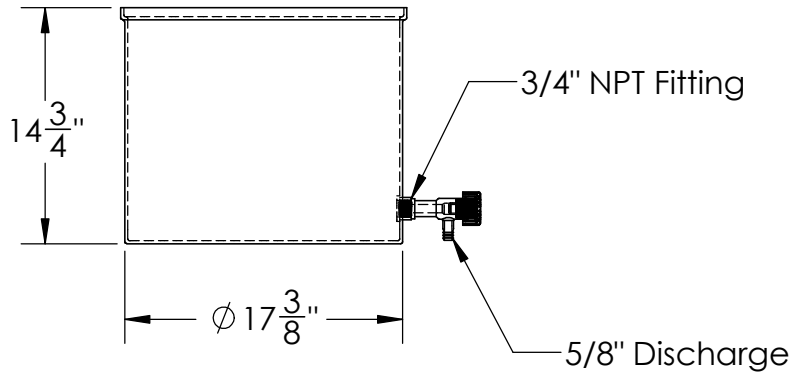
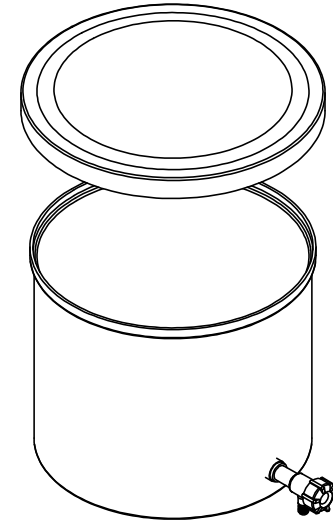
For further detail see tank drawing #10070



TANK



LID



Black Molded Polyethylene
Shallow Tank with Spigot
#14319



1390 Neubrecht Road
Lima, Ohio 45801

STOCK NO.

14319

REV

A

DO NOT SCALE DRAWING

WEIGHT: 11 lbs.

DIMENSIONS ARE IN INCHES TOLERANCE: ± 1/4"		NAME	DATE
MATERIAL	LLDPE - FDA resin	DRAWN	CDH 07/08/16
CAPACITY	14 US gal.	APPROVED	BAT 07/14/16
GRADUATIONS	NO	COMMENTS:	
NOMINAL WALL THICKNESS	3/16"	Black UV Stabilized	

PROPRIETARY AND CONFIDENTIAL
THE INFORMATION CONTAINED IN THIS DRAWING IS THE SOLE PROPERTY OF TAMCO. ANY REPRODUCTION IN PART OR AS A WHOLE WITHOUT THE WRITTEN PERMISSION OF TAMCO IS PROHIBITED.

MAX. OPERATING TEMP. 140°F
INTERMITTENT SERVICE TO 160°F
SEE CHEMICAL RESISTANCE
CHART FOR COMPATABILITY