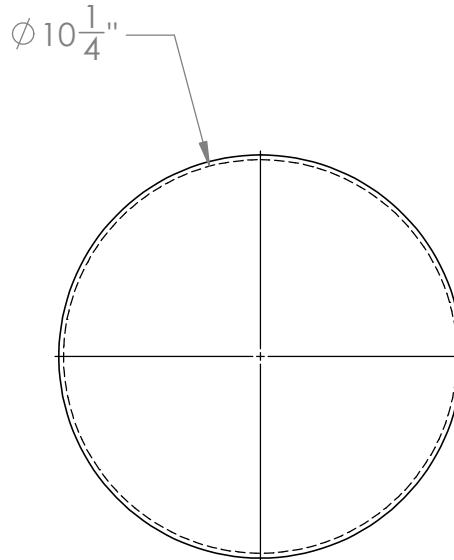
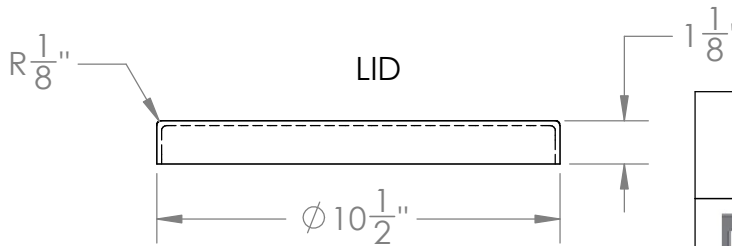
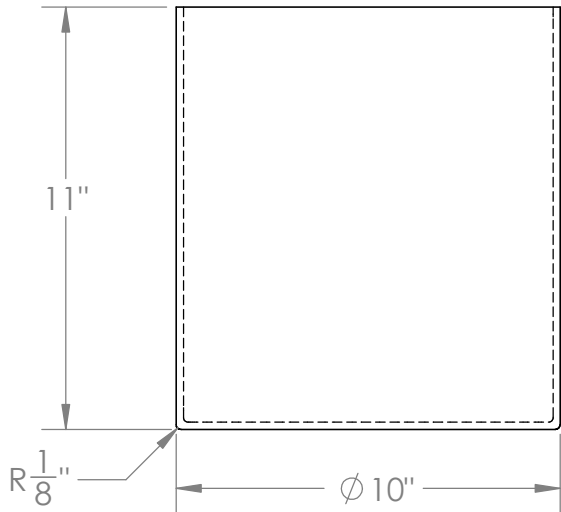
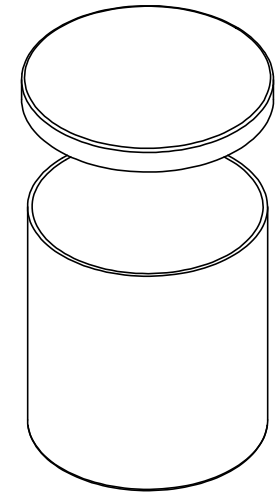



TANK



LID



Slate  
Polyethylene Plating  
Tank #14392



1390 Neubrecht Road  
Lima, Ohio 45801

STOCK NO.	14392	REV	A
DO NOT SCALE DRAWING		WEIGHT: 1 lbs.	

DIMENSIONS ARE IN INCHES TOLERANCE: $\pm 1/4''$		NAME	DATE
MATERIAL	LLDPE - FDA resin	DRAWN	CDH 06/14/16
CAPACITY	3-1/2 US gal.	APPROVED	BAT 07/14/16
GRADUATIONS	NO	COMMENTS: Slate UV Stabilized	
NOMINAL WALL THICKNESS	3/16"		

**PROPRIETARY AND CONFIDENTIAL**  
THE INFORMATION CONTAINED IN THIS DRAWING IS THE SOLE PROPERTY OF TAMCO. ANY REPRODUCTION IN PART OR AS A WHOLE WITHOUT THE WRITTEN PERMISSION OF TAMCO IS PROHIBITED.

MAX. OPERATING TEMP. 140°F  
INTERMITTENT SERVICE TO 160°F  
SEE CHEMICAL RESISTANCE CHART FOR COMPATABILITY