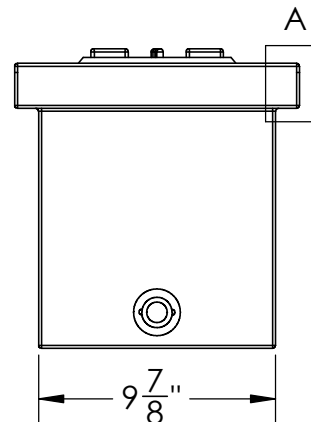
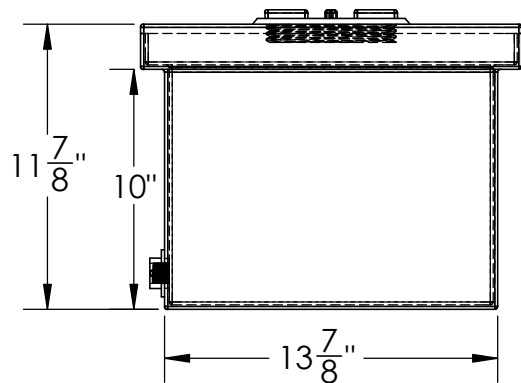
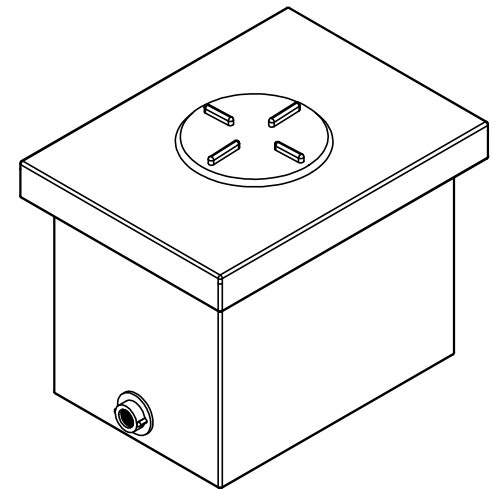


DETAIL A



Heavy Duty Polyethylene
Tank w/ Internal Flange #14584



STOCK NO. **14584** REV **A**

DO NOT SCALE DRAWING

WEIGHT: 8 lbs.

DIMENSIONS ARE IN INCHES TOLERANCE: ± 1/4"		NAME	DATE
MATERIAL	LLDPE - FDA resin	DRAWN	JMP 01/08/18
CAPACITY	6 US gal.	APPROVED	
GRADUATIONS	NO	COMMENTS: Translucent UV Stabilized	
NOMINAL WALL THICKNESS	3/16"		

PROPRIETARY AND CONFIDENTIAL
THE INFORMATION CONTAINED IN THIS DRAWING IS THE SOLE PROPERTY OF TAMCO. ANY REPRODUCTION IN PART OR AS A WHOLE WITHOUT THE WRITTEN PERMISSION OF TAMCO IS PROHIBITED.

MAX. OPERATING TEMP. 140°F
INTERMITTENT SERVICE TO 160°F
SEE CHEMICAL RESISTANCE
CHART FOR COMPATIBILITY